

DEPARTMENT OF THE ARMY

TM 9-1370-208-10

PHOTOFLASH CARTRIDGES,

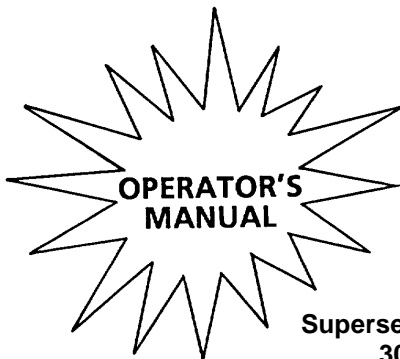
SURFACE FLARES

AND

MISCELLANEOUS

PYROTECHNIC

ITEMS



**Supersedes TM 9-1370-208-10.
30 November 1981**

Approved for public release, distribution unlimited

MARCH 1991

This copy is a reprint which includes current pages from Change 1.

WARNING

PYROTECHNIC ITEMS CONTAIN HAZARDOUS MATERIALS

KEEP AWAY FROM FIRE

DON'T HANDLE IF DAMAGED

**HANDLE CAREFULLY AND
ALWAYS AIM AWAY FROM:
FACE-BODY-FRIENDLY TROOPS**

**IF SITUATION PERMITS:
WEAR FULL HELMET
AND GLOVES**

**CHECK WIND TO AVOID FIRE OR SMOKE INHALATION OR
IRRITATION WITH ALL PYROTECHNIC ITEMS**

**U
AR 5335**

WARNING: THIS MANUAL CONTAINS ITEMS WHICH THE FOLLOWING INSTRUCTIONS APPLY. CHECK THE PARAGRAPH FOR EACH ITEM FOR SPECIFIC APPLICATIONS.

DO NOT TOUCH THE DUD!

**MARK LOCATION OF DUD FOR
EXPLOSIVE ORDNANCE
DISPOSAL (EOD) PERSONNEL**

CALL EOD FOR DISPOSAL

**U
AR 5336**

a (b blank)

CHANGE)
)
NO. 2)

HEADQUARTERS
DEPARTMENT OF THE ARMY
WASHINGTON, DC, 28 March 2002

**Operator's Manual
for
Photoflash Cartridges, Surface Flares, and
Miscellaneous Pyrotechnic Items**

DISTRIBUTION STATEMENT A: Approved for public release; distribution is unlimited.

TM 9-1370-208-10, 31 March 1991 is changed as follows:

1. File this change sheet in front of the publication for reference purposes.
2. Remove old pages and insert new pages as indicated below.
3. New or changed material is indicated by a vertical bar in the outer margin of the page.
4. Added or revised illustrations are indicated by a vertical bar adjacent to the illustration identification number.

Remove Pages

1 and 2
13 and 14

Insert Pages

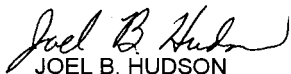
1 and 2
13 and 14

TM 9-1370-208-10

C2

By Order of the Secretary of the Army:

Official:

Handwritten signature of Joel B. Hudson in black ink.

JOEL B. HUDSON

*Administrative Assistant to the
Secretary of the Army*

0207701

ERIC K. SHINSEKI
*General, United States Army
Chief of Staff*

DISTRIBUTION: To be distributed in accordance with the initial distribution number (IDN) 400702 requirements for TM 9-1370-208-10.

TM 9-1370-208-10
C1

Change)
)
No. 1)

HEADQUARTERS
DEPARTMENT OF THE ARMY
Washington, DC, 30 September 1993

OPERATOR'S MANUAL
FOR
PHOTOFLASH CARTRIDGES, SURFACE FLARES, AND
MISCELLANEOUS PYROTECHNIC ITEMS

TM 9-1370-208-10, 31 March 1991, is changed as follows:

1. Remove old pages and insert new pages as indicated below. New or changed material is indicated by a vertical bar in the margin of the page.

Remove pages

1 and 2
None

Insert pages

1 and 2
32.1 and 32.2

2. File this change sheet in front of the publication for reference purposes

By Order of the Secretary of the Army:

Official:

GORDON R. SULLIVAN
General, United States Army
Chief of Staff

MILTON H. HAMILTON
Administrative Assistant to the
Secretary of the Army
05569

Distribution:

To be distributed in accordance with DA Form 12-40-E, block 0702, requirements for TM 9-1370-208-10.

***TM 9-1370-208-10**

Technical Manual)
)
No. 1370-208-10)

HEADQUARTERS
DEPARTMENT OF THE ARMY
Washington, DC, 31 March 1991

**OPERATOR'S MANUAL.
FOR
PHOTOFLASH CARTRIDGES. SURFACE FLARES AND
MISCELLANEOUS PYROTECHNIC ITEMS**

*This manual supersedes TM 9-1370-208-10, 30 November 1981.

**U
AR 5337**

TECHNICAL MANUAL

No.1370-208-10

**HEADQUARTERS
DEPARTMENT OF THE ARMY
Washington, DC, 31 March 1991**

**Operator's Manual
for
Photoflash Cartridges, Surface Flares and
Miscellaneous Pyrotechnic Items**

REPORTING ERRORS AND RECOMMENDING IMPROVEMENTS

You can help improve this manual. If you find any mistakes or if you know of a way to improve the procedures, please let us know. Mail your letter or DA Form 2028-2 (Recommended Changes to Equipment Technical Publications) directly to Commander, U.S. Army TACOM, Armament Research, Development and Engineering Center, ATTN: AMSTA-AR-WEL-S, Picatinny Arsenal, NJ 07806-5000. You may also send in your recommended changes via electronic mail or by fax. Our e-mail address is LSB@PICA.ARMY.MIL. Our fax number is DSN 880-4633, Commercial (973) 724-4633. A reply will be furnished to you.

Page

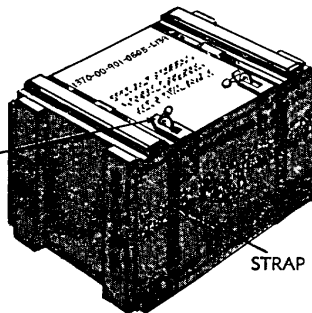
CHAPTER I	UPON RECEIPT	
Section 1	Unpacking	3
Section 2	Opening Barrier Bag	5

	Page
CHAPTER II	DESCRIPTION AND OPERATION
Section 1	Photoflash Cartridges 7
Section 2	Surface Flares 10
Trip Surfaces Flare M49A1	10
Airport Surface Flare M76	30
Section 2.1	Infrared Tracking Flare 32
Ballistic Aerial Target MK33, Mod 0 Flare	32
Section 3	Miscellaneous 33
Fire Starter M2	33
Warning Railroad Fusee, Red, M72	36
CHAPTER III	MAINTENANCE
Operator Level	39

UPON RECEIPT



HASP
AND SEAL



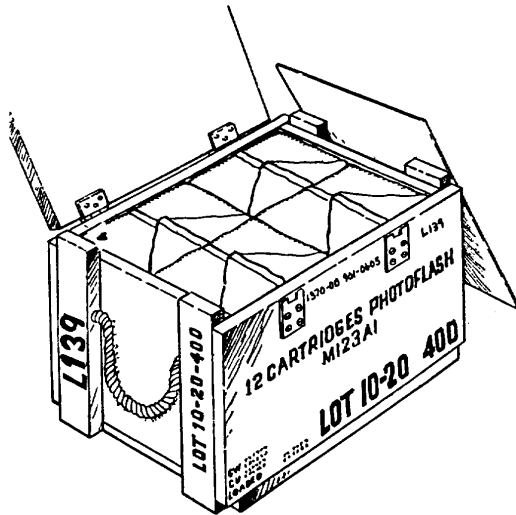
STRAP

SECTION (1) UNPACKING

CAUTION:
KEEP BOXES SEAL - DUDS OR
IMPROPER FUNCTIONING
COULD OCCUR IF EXPOSED
TO MOISTURE.
OPEN JUST BEFORE USE

U
AR 5339

- (1) Cut steel strapping carefully with metal shears to avoid springback. Remove and dispose of metal straps.
- (2) Cut antipliferage seal (metallic wire seal) with pliers. Discard seal.
- (3) Turn hasp catch and open hasps on hinge. To release spring latched boxes pull out spring latch.

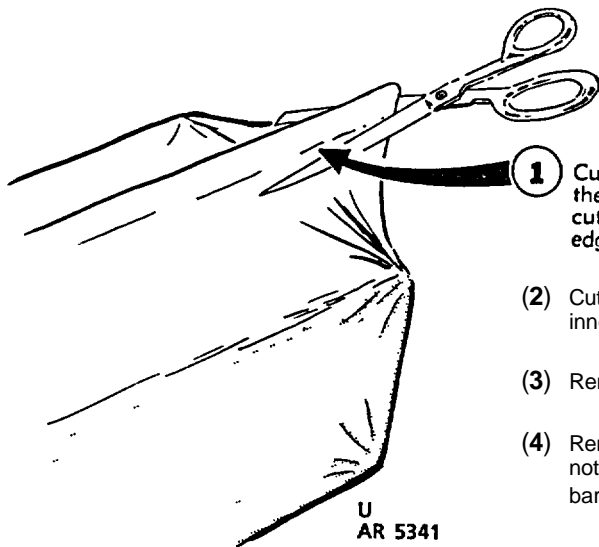


- (4) Lift box top and remove top filler. Note top position for reclosing on springlatch boxes.
- (5) Remove barrier bagged inner pack if ready for immediate use.

U
AR 5340

**PROCEED
TO STEP 1** ➔

SECTION (2) OPENING BARRIER BAG



- 1** Cut barrier bag open along the edge with most free area, cutting as close to sealed edge as possible.
- (2)** Cut or remove tape and open inner container.
- (3)** Remove padding, if any.
- (4)** Remove items. If all items are not removed, close and reseal barrier bag with adhesive tape.

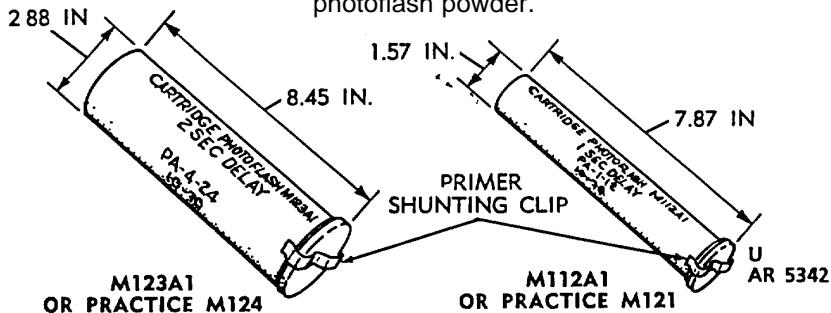
CHAPTER II

DESCRIPTION AND OPERATION

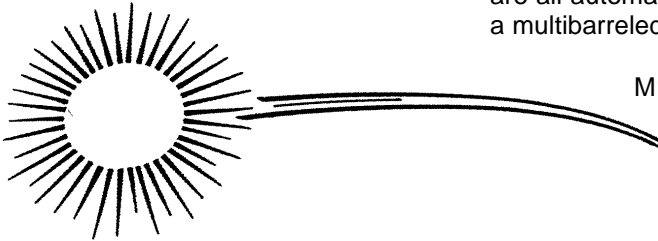
SECTION (1) PHOTOFLASH CARTRIDGES

DESCRIPTION

Photoflash Cartridges consist of a small propelling charge and an electrically primed, cylindrical, aluminum cartridge case containing photoflash powder.



Photoflash cartridges produce a single illuminating flash for aerial photography during reconnaissance missions. They are all automatically fired from a multibarreled ejector.



M123A1 comes in:

- 2-second delay (L139)
- 4-second delay (L140)
- 6-second delay (L141)
- * M124 Practice (L142)

M112A1 comes in:

- 1-second delay (L135)
- 2-second delay (L136)
- 4-second delay (L137)
- * M121 Practice (L138)

U
AR 5343

- * The two practice cartridges are similar to the service cartridges, but contain inert charges. They are fired from the same ejectors and approximate the same weight and handling characteristics as the service cartridges.



**first inspect
CARTRIDGE
for defects and/or
damage**



OPERATION

- (1) Remove and save shunting clip just prior to placing into ejector.
- (2) Place cartridge in aircraft ejector.
- (3) Cartridge is automatically fired when camera is operated.

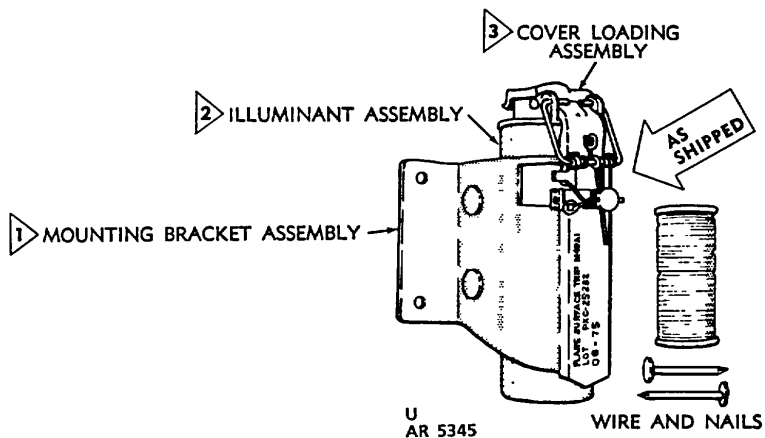
After mission, remove fired cartridge cases from ejector and dispose of in accordance with local regulations. Remove any cartridges not fired from ejector, replace shunting clip, and place in barrier bag. Store in dry area. Remove misfired cartridges from ejector, replace shunting clip, and turn into authorized disposal personnel.

**U
AR 5344**

SECTION (2) SURFACE FLARES

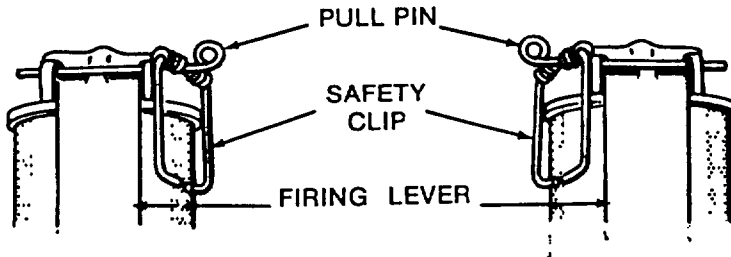
Trip Surface Flare M49A1

DESCRIPTION

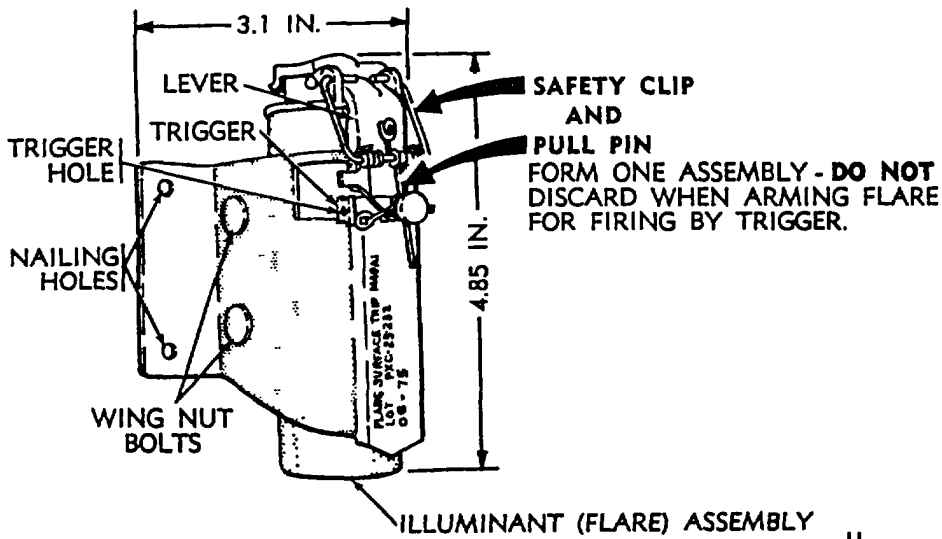


The flare consists of the above assemblies and is used to illuminate the area of advancing enemy troops. It is fired by tripwire.

- 1 MOUNTING BRACKET ASSEMBLY secures Illuminant (Flare) and Cover Loading Assembly with two wing nuts during shipment. It contains a tab with two nail holes to position and hold the flare. It also houses the trigger assembly which may or may not be used to fire the flare
- 2 ILLUMINANT (FLARE) ASSEMBLY consists of a cupped round aluminum case containing ignition pellet and illuminant pellets
- 3 COVER LOADING ASSEMBLY is force fitted into the Illuminant Assembly. It contains the firing lever, pull pin and safety clip The pull pin may be reversed in position to allow reversal of tripwire.



U
AR 5346



U
AR 5347

OPERATION

Inspect

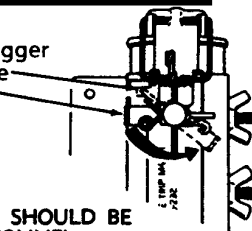


Press lever against flare body and **CHECK FOR:**

- ✓ Straightness of pull pin.
- ✓ Alignment of safety clip and holes in cover loading assembly.
- ✓ Corrosion and looseness of cover loading assembly.
- ✓ Alignment of hinge pins in cover loading assembly.

WARNING FORWARD IMMEDIATELY TO AUTHORIZED DISPOSAL PERSONNEL IF COVER ASSEMBLY IS CORRODED OR LOOSE, OR IF HINGE PINS ARE MISALIGNED.

- ✓ Deformed flare and bracket.
- ✓ Tension and position of trigger spring. Trigger should rotate counterclockwise to extreme position (as shown) and return to original position when released.
- ✓ Legibility of ammunition lot number.



FLARES UNABLE TO PASS THE ABOVE INSPECTION SHOULD BE FORWARDED TO AUTHORIZED DISPOSAL PERSONNEL

AR5348

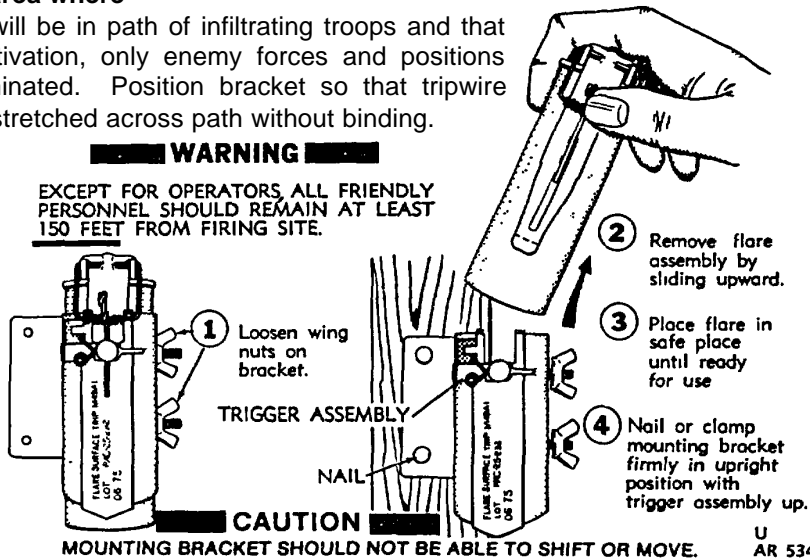
TO INSTALL MOUNTING BRACKET

Locate area where

tripwire will be in path of infiltrating troops and that upon activation, only enemy forces and positions are illuminated. Position bracket so that tripwire may be stretched across path without binding.

WARNING

EXCEPT FOR OPERATORS, ALL FRIENDLY PERSONNEL SHOULD REMAIN AT LEAST 150 FEET FROM FIRING SITE.



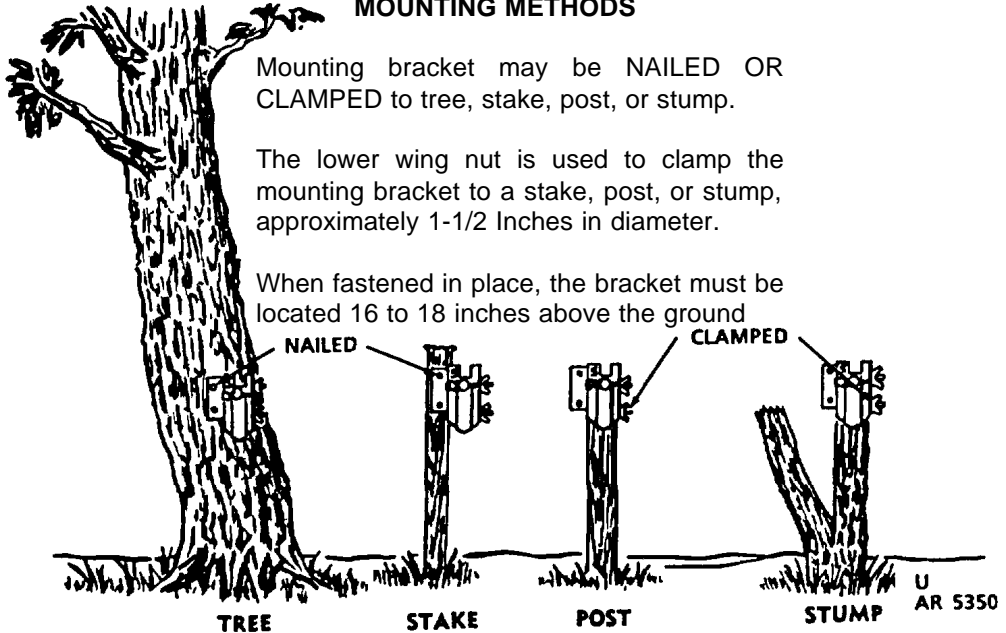
U
AR 5349

MOUNTING METHODS

Mounting bracket may be NAILED OR CLAMPED to tree, stake, post, or stump.

The lower wing nut is used to clamp the mounting bracket to a stake, post, or stump, approximately 1-1/2 Inches in diameter.

When fastened in place, the bracket must be located 16 to 18 inches above the ground

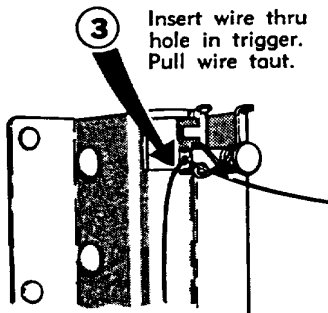


SET UP WITH TRIGGER

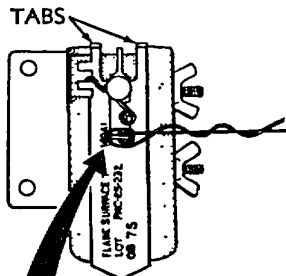


- (1) Approximately 40 feet to the right of the mounted bracket, attach tripwire to post, stake, tree or other rigid object. Make sure tripwire is in line with rotation of trigger assembly so that it will not bind or snag when attached.
- (2) Return to mounted bracket while unrolling tripwire. Make sure that tripwire will not bind or snag when attached.

U
AR 5351

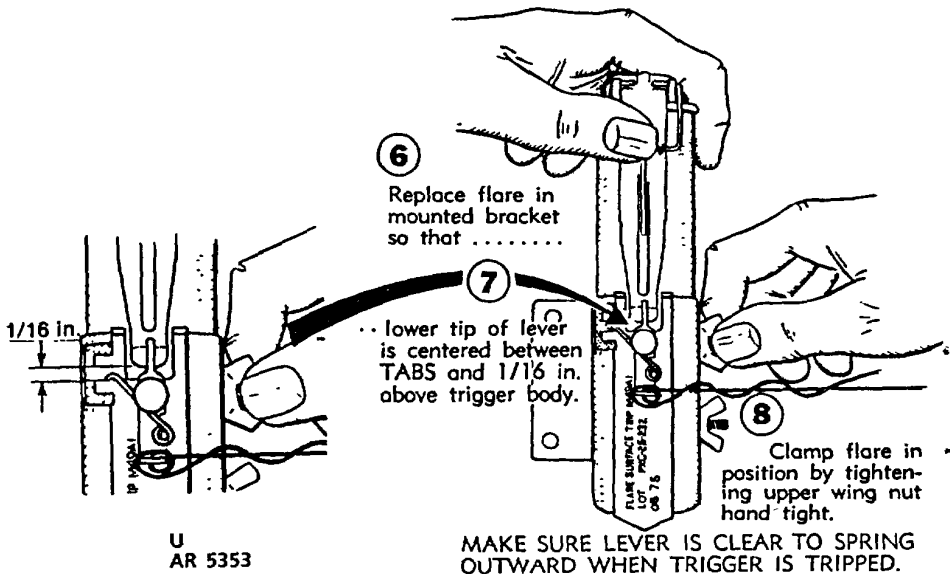


- ④ Rotate trigger counterclockwise one quarter turn. Center trigger over opening between tabs.



- ⑤ Pull wire tight to hold trigger in this position. Wrap wire around trigger and twist to secure

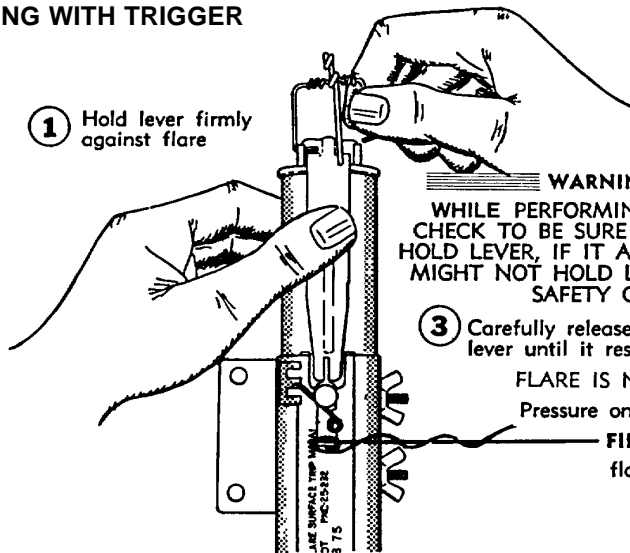
✓ CHECK to be sure ...
 Tripwire is free of snags
 and will not bind.
 Trigger is centered
 between tabs. U
 AR 5352



ARMING WITH TRIGGER

- ① Hold lever firmly against flare

- ② Remove safety clip from holes in cover loading assembly. Retain clip for reuse.



WARNING

WHILE PERFORMING NEXT STEP,
CHECK TO BE SURE TRIGGER WILL
HOLD LEVER, IF IT APPEARS TRIGGER
MIGHT NOT HOLD LEVER, REPLACE
SAFETY CLIP.

- ③ Carefully release pressure on
lever until it rests against trigger.

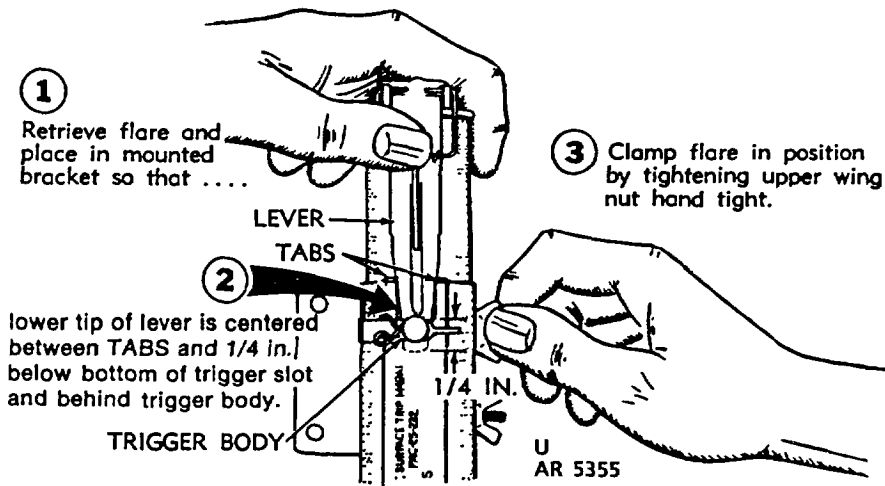
FLARE IS NOW ARMED
Pressure on tripwire will

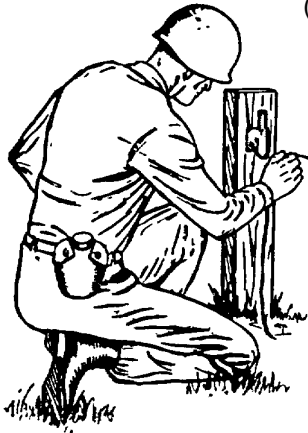
FIRE
flare

U
AR 5354

SET UP WITH PULL PIN

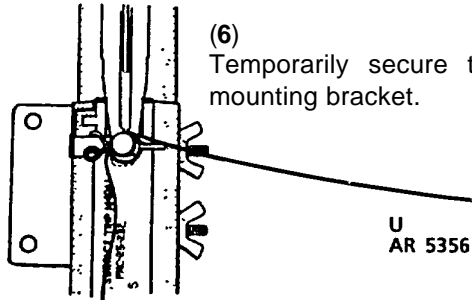
MOUNT BRACKET AS SHOWN ON
PAGES 14 AND 15





- (4) Approximately forty feet to the right or left of flare mounting, attach tripwire to post, stake, tree or other rigid object.

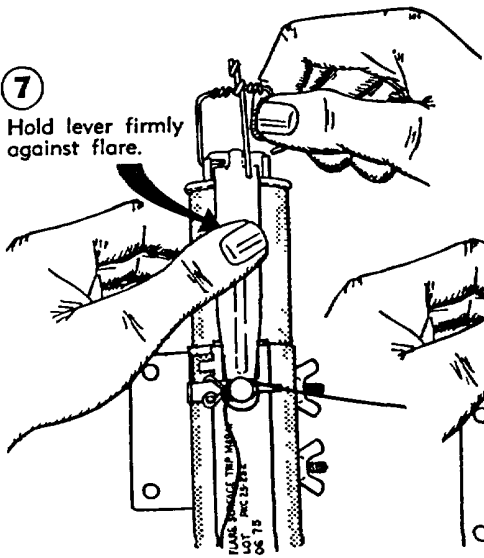
- (5) Return to mounted flare while unrolling tripwire
Make sure wire does not bind or snag.



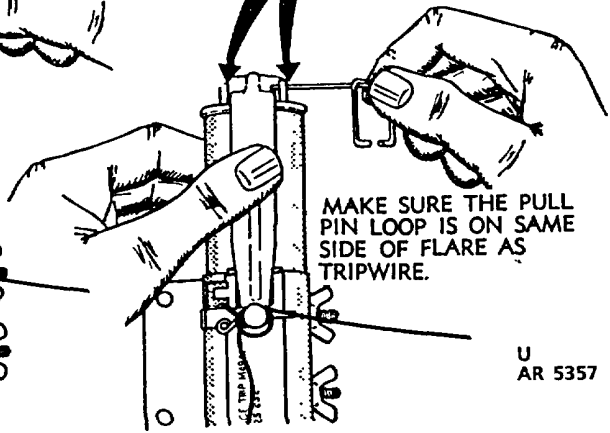
- (6) Temporarily secure tripwire to mounting bracket.

8 Remove safety clip from holes in cover loading assembly.

7
Hold lever firmly against flare.

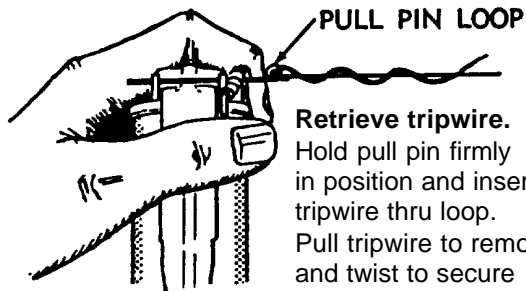


9 Retain pressure on lever and insert pull pin thru BOTH safety pin holes.



U
AR 5357

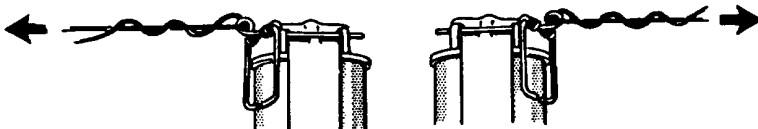
10



Retrieve tripwire.

Hold pull pin firmly in position and insert tripwire thru loop.

Pull tripwire to remove slack and twist to secure to pull pin.

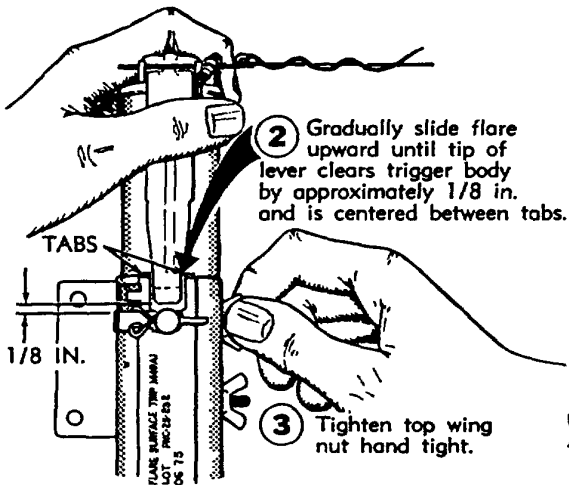


NOTE: THE PULL PIN MAY BE INSERTED FROM EITHER SIDE SO THAT THE TRIPWIRE CAN BE RUN TO RIGHT OR LEFT

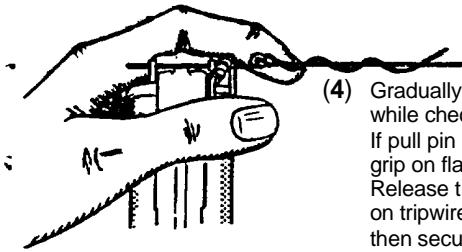
**U
AR 5358**

ARMING WITH PULL PIN

- 1 Retain grip on pull pin and flare lever, and with other hand loosen top wing nut.



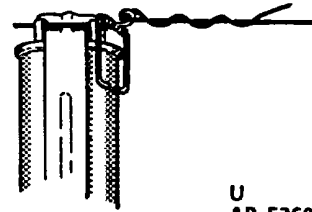
U
AR 5359



(4) Gradually release grip on pull pin and lever while checking that pull pin remains in place. If pull pin slips through holes, tighten grip on flare and replace pull pin. Release tripwire and adjust tension on tripwire until pull pin remains in place, then secure wire to pull pin.

(5) Gently remove hand completely from flare and leave area QUICKLY

FLARE IS ARMED



**U
AR 5360**

DISARMING PROCEDURE
WHEN SET UP FOR TRIGGER FIRING.

WARNING

AVOID CONTACT WITH TRIPWIRE
UNTIL SAFETY CLIP IS IN PLACE

- (1) Carefully depress and hold lever against flare body.
- (2) Insert end of safety clip through safety clip hole.
- (3) Loosen upper wing nut and push flare down
Into mounting bracket.
- (4) Slowly release lever until certain safety clip is
properly positioned and holding lever.
- (5) Remove wire from trigger and rewind.

U
AR 5361

FLARE IS NOW DISARMED

DISARMING PROCEDURE (con't)

WHEN SET UP FOR PULL PIN FIRING

- (1) Firmly depress lever against body and hold pull pin in place.
- (2) Loosen upper wing nut and push flare down into mounting bracket.
- (3) Detach tripwire from pull pin.
- (4) Remove pull pin and insert safety clip.

U
AR 5362

FLARE IS NOW DISARMED.

DUD

DO NOT TOUCH THE DUD !
MARK LOCATION OF DUD FOR
EOD PERSONNEL
CALL EOD FOR DISPOSAL

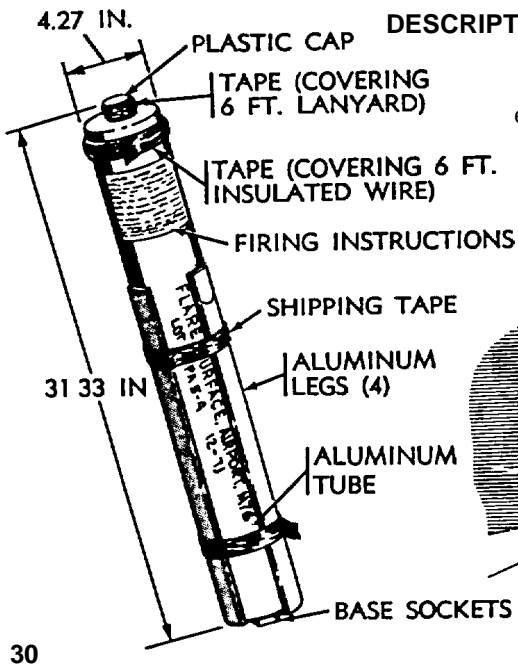
U
AR 5363

TO REPACK

- (1) Remove bracket and flare assembly from mounting post.
- (2) CLEAN and DRY flare and bracket assembly.
- (3) Repack in original packing.

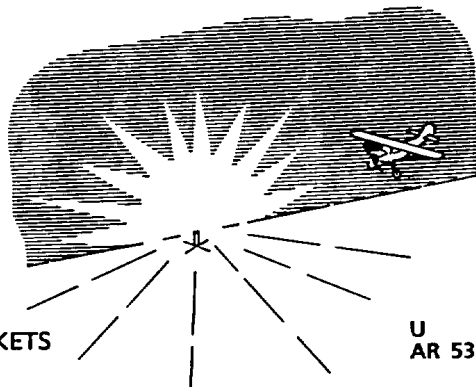
U
AR 5364

Airport Surface Flare M76



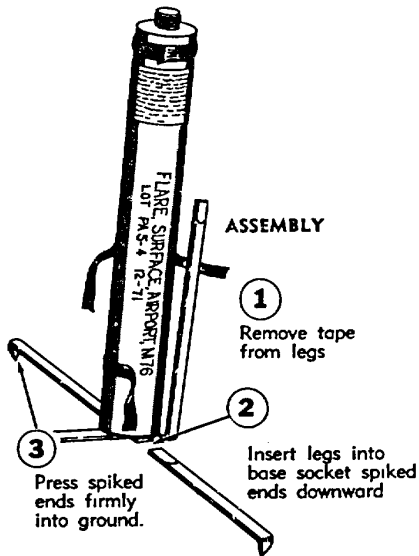
DESCRIPTION

This flare is used to illuminate aircraft landings or to illuminate emergency landing fields. It has a brightness of 500,000 candlepower for 5-7 minutes and is visible for 20-30 miles. It may be initiated manually or electrically.



U
AR 5365

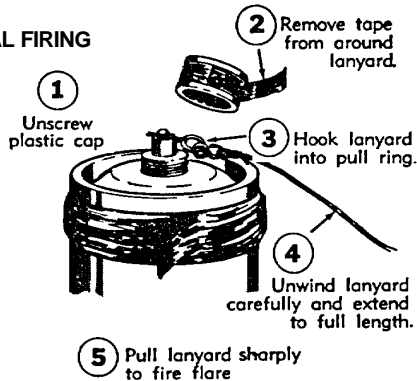
OPERATION



WARNING

BEFORE FIRING CHECK TO BE SURE AREA AROUND FLARE IS CLEAR OF PERSONNEL AND FLAMMABLE MATERIAL.

MANUAL FIRING

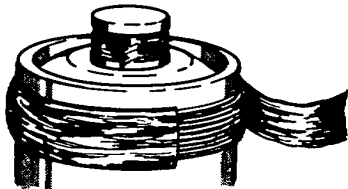


U
AR 5366

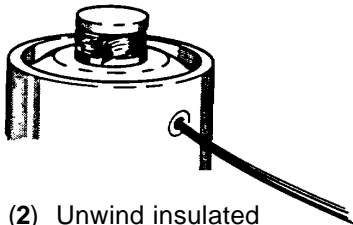
DUD....

DO NOT TOUCH THE DUD! MARK LOCATION OF DUD FOR EOD PERSONNEL. CALL EOD FOR DISPOSAL.

ELECTRICAL FIRING



- (1) Remove tape from around insulated wire.



- (2) Unwind insulated wire and extend to full length.

- (3) Connect one wire lead to a terminal of 12 volt two terminal power source.



- (4) Touch second wire lead to other terminal of power source to fire.

MISFIRE

**WAIT THIRTY SECONDS
TURN FLARE IN TO AMMUNITION
SUPPLY POINT.**

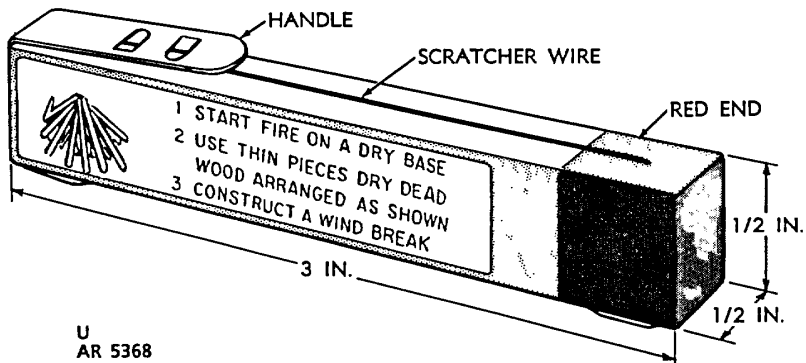
**U
AR 5367**

SECTION (3) MISCELLANEOUS

Fire Starter M2

DESCRIPTION

A rectangular cellulose nitrate container designed to be carried in pocket of survival kit, it is used to start fires under adverse climatic conditions.



U
AR 5368

OPERATION

Fire starting instructions
are contained on labels.

CAUTION: HANDLE ONLY AT CLEAR END KEEP FINGERS CLEAR OF RED AREA WHEN IGNITING.

- (1) Slide handle from case.
- (2) Pierce red end of fire starter with handle.
- (3) Point red end down and hold starter with thumb above scratcher wire outlet.
- (4) Grasp handle and pull scratcher wire out of case.
- (5) Ignition should take place - remain in position with red end down until red end is thoroughly ignited.

NOTE: If handle breaks, wrap wire around a twig and pull.

U
AR 5369

Section (2.1) INFRARED TRACKING FLARE

BALLISTIC AERIAL TARGET, MK33, MOD 0, FLARE

The MK33, MOD 0 Flare is an infrared tracking flare to be used with the Ballistic Aerial Target System (BATS).

Refer to TM 9-1340-418-14, Operator, Unit, DS and GS Maintenance manual for Ballistic Aerial Target System (BATS).

THIS PAGE INTENTIONALLY LEFT BLANK

32.2 Change 1

MISFIRE

SHOULD IGNITION DEVICE FAIL, IGNITE FIRE STARTER WITH MATCH,
CIGARETTE LIGHTER, ETC.

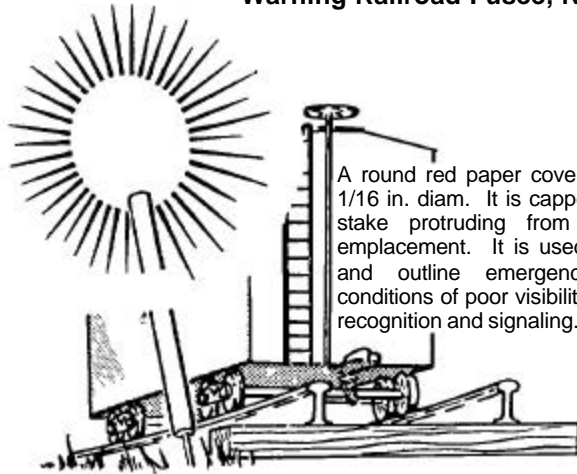
IF IT STILL DOES NOT FUNCTION - - - - -

FORWARD DEFECTIVE ITEMS TO
AMMUNITION SUPPLY POINT

U
AR 5370

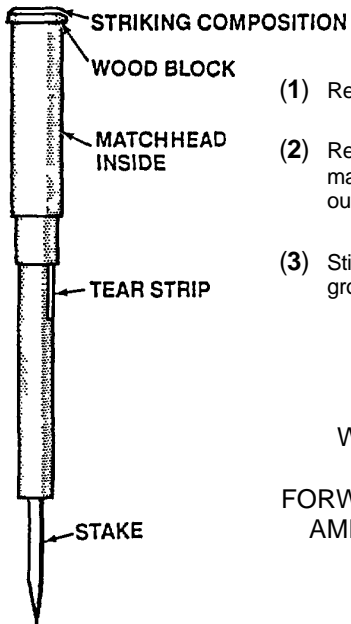
Warning Railroad Fusee, Red M72

DESCRIPTION



A round red paper covered fusee, 15-7/8 in. long by 1-1/16 in. diam. It is capped with a wood block and has a stake protruding from the wood bottom plug for emplacement. It is used to mark railroad car positions and outline emergency airport boundaries under conditions of poor visibility. Fusees may also be used for recognition and signaling.

U
AR 5371



OPERATION

- (1) Remove red paper from wood block with tear strip.
- (2) Remove wood block and ignite fusee by striking matchhead with striking composition that is on outer surface of cap
- (3) Stick fusee in an inclined position in ground or soft material.

MISFIRE

WAIT **THIRTY SECONDS-**
THEN
FORWARD DEFECTIVE ITEMS TO
AMMUNITION SUPPLY POINT

U
AR 5372

37 (38 blank)



MAINTENANCE

OPERATOR LEVEL

ALL PREPACKED ITEMS SHOULD BE TIGHTLY WRAPPED AND SEALED IN WATERPROOF BARRIER BAG (WHEN POSSIBLE) AND CLEARLY MARKED.

UNUSED ITEMS SHOULD BE TURNED IN TO AMMUNITION SUPPLY POINT AS SOON AS POSSIBLE. PROVIDE AS MUCH PROTECTION FOR THESE ITEMS BY REPACKING IN ORIGINAL CONTAINERS, IF AVAILABLE, OR EQUIVALENT IMPROVISED PACKING ALL EFFORTS MUST BE MADE TO GET THESE ITEMS TO ORGANIZED MAINTENANCE IN THE BEST POSSIBLE CONDITION.

AVOID EXPOSURE TO. MOISTURE - DENTS - ETC.

**U
AR 5373**

To report errors
and omissions or
to suggest improvements

PLEASE WRITE

COMMANDER
USA AMCCOM
ATTN AMSMC-MAY-T(D)
Picatinny Arsenal. NEW JERSEY 07806-5000

USE FORM DA2028

WE NEED TO KNOW



**MALFUNCTION REPORTS - SUBMIT MALFUNCTION REPORTS
IN ACCORDANCE WITH AR 751**

**U
AR 5374**

☆ U S GOVERNMENT PRINTING OFFICE: 1997 O - 418-292 (71000)

41 (42 blank)

**Photoflash Cartridges,
Surface Flares and
Miscellaneous Items**

By Order of the Secretary of the Army

Official:

CARL E. VUONO
General, United States Army
Chief of Staff

THOMAS F. SIKORA
Brigadier General, United States Army
The Adjutant General

DISTRIBUTION: To be distributed in accordance with DA Form 12-40-E, U
block 0702, Operator Maintenance Requirements, for Pyrotechnics. AR 5375

TM 9-1370-208-10

PIN: 033679-002