

**TECHNICAL MANUAL  
DIRECT SUPPORT AND GENERAL SUPPORT  
MAINTENANCE MANUAL**

**FOR**

**2.75-INCH LOW SPIN,  
FOLDING FIN AIRCRAFT ROCKETS,  
66MM LIGHT ANTITANK WEAPON SYSTEMS,  
3.5-INCH ROCKETS AND  
M3A2E1 ROCKET MOTOR (JATO)**

**DISTRIBUTION STATEMENT A: Approved for public release; distribution unlimited.**

---

**HEADQUARTERS, DEPARTMENT OF THE ARMY**

**OCTOBER 1994**

## **WARNINGS**

**DO NOT USE ANY ELECTRICAL EQUIPMENT AROUND AMMUNITION UNLESS IT HAS A NATIONAL ELECTRICAL CODE RATING OF CLASS I FOR FLAMMABLE VAPOR, CLASS II FOR EXPLOSIVE DUSTS (INCLUDING AMMUNITION), OR IS DUAL RATED IF BOTH VAPOR AND DUSTS ARE PRESENT.**

**GROUND ALL AMMUNITION CONTAINING EXPLOSIVES.**

**FUZE CAVITY LINER MUST BE IN PLACE PRIOR TO CLEANING FUZE WELL OR THREADS WITH SMALL STAINLESS STEEL BRUSH.**

**ALL UNPACKAGED (BARE) 2.75-INCH ROCKETS/ROCKET MOTORS DROPPED FROM ANY HEIGHT WILL BE TURNED IN AS UNSERVICEABLE AMMUNITION.**

When applicable, insert latest change pages and dispose of superseded pages in accordance with applicable regulations.

**LIST OF EFFECTIVE PAGES**

TOTAL NUMBER OF PAGES IN THIS PUBLICATION IS 53  
 CONSISTING OF THE FOLLOWING:

| <i>Page<br/>No.</i> | <i>*Change<br/>No.</i> |
|---------------------|------------------------|
| Cover               | 0                      |
| Inside Cover        | 0                      |
| A and B             | 0                      |
| i and ii            | 0                      |
| 1-1 and 1-2         | 0                      |
| 2-1 and 2-2         | 0                      |
| 3-1 thru 3-6        | 0                      |
| 4-1 thru 4-22       | 0                      |
| A-1 and A-2         | 0                      |
| B-1 thru B-4        | 0                      |
| C-1 thru C-8        | 0                      |
| Authentication Page | 0                      |

\* Zero indicates an original page.

THIS PAGE INTENTIONALLY LEFT BLANK

B

Technical Manual )  
 )  
 No. 9-1340-222-34 )

HEADQUARTERS  
 DEPARTMENT OF THE ARMY  
 Washington, DC, 17 October 1994

**INTERMEDIATE DIRECT SUPPORT AND INTERMEDIATE GENERAL  
 SUPPORT MAINTENANCE MANUAL  
 FOR  
 2.75-INCH LOW SPIN, FOLDING FIN AIRCRAFT ROCKETS,  
 2.75-INCH SPIN STABILIZED, WRAP AROUND FIN AIRCRAFT ROCKETS,  
 66MM LIGHT ANTITANK WEAPON SYSTEMS,  
 3.5-INCH ROCKETS AND M3A2E1 ROCKET MOTOR (JATO)**

REPORTING OF ERRORS

You can improve this manual. If you find any mistakes or know of a way to improve the procedures, please let us know. Mail your DA Form 2028 (Recommended Changes to Publications and Blank Forms), or DA Form 2028-2 located in the back of this manual direct to Commander, U.S. Army Armament Research, Development and Engineering Center, ATTN: SMCAR-LSB. Picatinny Arsenal, NJ 07806-5000. A reply will be furnished to you.

|              |  | <u>Page</u> |
|--------------|--|-------------|
| CHAPTER 1.   | INTRODUCTION                               |             |
| Section I.   | General                                    |             |
|              | 1-1. Scope .....                           | 1-1         |
|              | 1-2. Forms, records, and reports .....     | 1-1         |
| Section II.  | Description and Data                       |             |
|              | 1-4. General .....                         | 1-1         |
| Section III. | Safety, Care, and Handling                 |             |
|              | 1-5. General .....                         | 1-1         |
|              | 1-6. Safety .....                          | 1-1         |
|              | 1-7. Care and handling .....               | 1-2         |
| CHAPTER 2.   | TOOLS AND EQUIPMENT                        |             |
|              | 2-1. General .....                         | 2-1         |
|              | 2-2. Tools and equipment .....             | 2-1         |
|              | 2-3. Packaging Materials .....             | 2-1         |
| CHAPTER 3.   | INSPECTION REQUIREMENTS                    |             |
| Section I.   | General                                    |             |
|              | 3-1. Purpose of inspection .....           | 3-1         |
|              | 3-2. Ammunition surveillance program ..... | 3-1         |
|              | 3-3. Inspections .....                     | 3-1         |
|              | 3-4. Inspection methods .....              | 3-1         |
|              | 3-5. Extent of inspections .....           | 3-1         |
| Section II.  | Classification of Material Defects         |             |
|              | 3-6. General .....                         | 3-2         |
|              | 3-7. In-process and final inspection ..... | 3-2         |
|              | 3-8. Disposition of lots .....             | 3-2         |

\*This manual supersedes TM 9-1340-222-34 dated 21 August 1974, including all changes.

|              |  | <u>Page</u> |
|--------------|--|-------------|
| CHAPTER 4.   | MAINTENANCE INSTRUCTIONS   |             |
| Section I.   | Introduction   |             |
|              | 4-1. General .....   | 4-1         |
|              | 4-2. Direct support maintenance .....  | 4-1         |
|              | 4-3. General support maintenance .....   | 4-1         |
|              | 4-4. Unpacking and repacking .....   | 4-1         |
|              | 4-5. Inspection .....  | 4-1         |
| Section II.  | Cleaning   |             |
|              | 4-6. General.....  | 4-1         |
| Section III. | Repair   |             |
|              | 4-7. Packaging materials .....   | 4-2         |
| Section IV.  | Touchup, Painting, and Marking   |             |
|              | 4-8. Touchup .....   | 4-5         |
|              | 4-9. Painting.....   | 4-6         |
|              | 4-10. Color coding of boxes with light loads .....                                   | 4-8         |
|              | 4-11. Marking.....   | 4-9         |
| APPENDIX A.  | REFERENCES .....   | A-1         |
| APPENDIX B.  | DIRECT SUPPORT AND GENERAL SUPPORT PACKING<br>MATERIALS, ACCESSORIES, AND TOOLS..... | B-1         |
| APPENDIX C.  | EXPENDABLE AND DURABLE LIST .....  | C-1         |

| <i>Figure</i> | <i>List of Illustration<br/>Title</i>                        | <i>Page</i> |
|---------------|--|-------------|
| 4-1           | Repairing loops on wirebound box .....                       | 4-3         |
| 4-2           | Typical marking diagram for fiber containers .....           | 4-10        |
| 4-3           | Palletizing .....  | 4-11        |
| 4-4           | Typical marking diagram for metal containers .....           | 4-12        |
| 4-5           | Typical marking diagram for wooden boxes.....                | 4-13        |
| 4-6           | Typical marking diagram for 2.75-inch rocket warheads .....  | 4-14        |
| 4-7           | Marking diagram for 2.75-inch M274 rocket warhead.....       | 4-14        |
| 4-8           | Typical marking diagram for 2.75-inch rocket fuzes .....     | 4-15        |
| 4-9           | Typical marking diagram for 2.75-inch rocket motors .....    | 4-16        |
| 4-10          | Typical marking diagram for 66mm LAW system .....            | 4-17        |
| 4-11          | Typical marking diagram for 3.5-inch rockets .....           | 4-18        |
| 4-12          | Typical marking diagram for rocket motor M3A2E1 (JATO) ..... | 4-19        |

## CHAPTER 1 INTRODUCTION

---

### Section I. GENERAL

#### 1-1. Scope

a. This is one of a series of technical manuals on maintenance of 2.75-inch low spin, folding fin aircraft rockets (LSFFAR), 66mm light antitank weapon system (LAW), 3.5-inch rockets and rocket motor M3A2E1 (JATO). Information in this manual is limited to the responsibilities of direct and general support maintenance personnel.

b. Operating instructions and operator level maintenance are covered in the weapon manuals listed in appendix A. Organizational level maintenance is covered in TM 9-1340-222-20 which also contains the maintenance allocation chart (MAC). Authorized procedures for each level of maintenance, including direct and general support, are specified in the MAC. Additional information is given in TM 9-1055-460-13&P, Operator's Aviation Unit and Intermediate Maintenance Manual Including Repair Parts and Special Tools List for 2.75-Inch Rocket Launchers, and TM 9-1090-207-13&P, Operator's Aviation Unit and Intermediate Maintenance Manual with Repair Parts and Special Tools List (Including Depot

Maintenance Repair Parts and Special Tools) for Rocket Management Subsystems Inventory Deployment, XM138.

c. Instructions for conversion of expended 66mm launchers M72A1 to launchers M190 are contained in TM 9-1340-203-20.

d. Destruction procedures are contained in TM 43-0002-33, Destruction of Improved Conventional Ammunition (ICM) to Prevent Enemy Use.

#### 1-2. Forms, Records, and Reports

a. Maintenance forms, records, and reports which are to be used by maintenance personnel at all maintenance levels are listed in and prescribed by DA PAM 738-750.

b. A record should be kept of each inspection job undertaken on an ammunition condition report (ACR).

c. Ammunition data cards will be annotated to reflect major maintenance operations in accordance with TM 9-1300-250.

### Section II. DESCRIPTION AND DATA

#### 1-4. General

Description and data on rockets, rocket motors, and rocket weapon systems are contained in TM 9-1340-

222-20. Refer to the applicable operator and organizational maintenance for detailed operating instructions.

### Section III. SAFETY, CARE, AND HANDLING

#### 1-5. General

General information on safety, care, and handling is contained in TM 9-1300-206. Specific information regarding safety, care, and handling is contained in the applicable operator's and organizational maintenance manuals.

a. Point rockets delivered to the firing line in the direction that would cause the least damage in case of accidental ignition. Store rockets with warhead pointed nose down, if practical.

#### 1-6. Safety

Observe precautions generally applicable to ammunition and comply with all regulations and local standing operating procedures. Safety rules peculiar to rockets, rocket motors, and rocket weapon systems are discussed below.

b. Some LAW systems contain a small amount of radioactive material in the front sight. These systems are identified by the words LIMITED LIGHT SIGHT printed on the launcher and packing containers. If these launchers are returned with broken front sight, remove sight, seal in plastic bag and segregate for disposition by authorized personnel in accordance with AR 385-11.

c. Do not extend 66mm LAW launcher to open position during inspection.

d. Rocket motors and warheads may include electrical circuits which are susceptible to radio frequency energies and static electricity. Rockets in electrically operated launchers may be susceptible to initiation by electromagnetic radiation

e. Conduct inspection on electrically initiated rocket motors in approved areas complying with HERO (hazard of electromagnetic radiation to ordnance) requirements specified in TM 9-1340-222-20

f. Disassembly of explosive components without specific authorization is strictly prohibited.

### 1-7. Care and Handling

#### a. *General*

(1) Explosive materials must be handled with appropriate care at all times

(2) Do not drop, drag, throw, tumble, or otherwise strike boxes containing explosive components.

(3) Do not subject rockets or warheads to excessive moisture or prolonged exposure to direct rays of the sun.

(4) Keep components in original packing until immediately prior to assembly or preparation for use.

(5) Keep empty shipping containers from becoming broken or damaged.

(6) Observe storage procedures outlined in TM 9-1340-222-20.

#### b.. *2.75-Inch Rockets Only.*

(1) Reject crated rockets or rocket motors dropped 5 feet or more on hard surface.

(2) Reject uncrated rockets or rocket motors dropped from any height.

(3) Reject fuze-warhead combinations, crated or uncrated, if dropped 5 feet or more on hard surface.

(4) Contact ammunition supply personnel for disposition of rejected rockets.

(5) The MK66 rocket motor will not be continuously stored above 140 F for more than 24 hours.



## CHAPTER 2 TOOLS AND EQUIPMENT

---

### 2-1. General

Tools, equipment, and repair parts, in addition to those available to the using organization, are supplied to direct support and general support maintenance units as required for maintaining rockets, rocket motors, and rocket weapon systems.

### 2-2. Tools and Equipment

a Tools and equipment generally applicable to these rockets are authorized for issue buy tables of

allowances (TA) and tables of organization and equipment (TOE).

b. Unless otherwise indicated, local fabrication of tools and equipment is not authorized.

### 2-3. Tools and Equipment

Packing Materials, Accessories, and Tools required for direct support and general support maintenance are listed in appendix B.

THIS PAGE INTENTIONALLY LEFT BLANK

## CHAPTER 3 INSPECTION REQUIREMENTS

### Section I. GENERAL

#### 3-1. Purpose of Inspection

a. Inspection criteria contained in this publication are provided to assure that all maintenance performed will restore the item(s) to an acceptable quality level.

b. A complete plan of all maintenance work is required. Prepare standing operating procedures (SOP) that contain detailed production techniques, standards, and controls necessary to produce a quality product. See TM 9-1300-250 for planning procedures and SOP preparation.

#### 3-2. Ammunition Surveillance Program

Surveillance includes those actions necessary to evaluate the current degree of serviceability of ammunition. See AR 702-6, AR 740-1, AR 742-9, and AR 742-1 for policy, responsibilities and procedures applicable to the Ammunition Surveillance and Quality Evaluation Program.

#### 3-3. Inspections

##### a. Serviceability

(1) Ammunition items will be inspected by a quality assurance specialist (ammunition) or MOS 55x40 personnel under the guidance of a quality assurance specialist (ammunition) to determine serviceability or unserviceability according to SB 742-1 and other pertinent SB's.

(2) Required maintenance for unserviceable materiel will be indicated on the inspection report.

b. *Premaintenance.* At the unpack operation, prior to rework, ammunition items will be screened 100 percent. DS and/or GS personnel will perform premaintenance screening, which will include the following:

(1) All items with critical nonfunctional defects will be separated from the quantity to be maintained and disposed of as directed in the SOP

(2) All items with defects, as listed in table 3-1, will be corrected during maintenance.

(3) Other evidence of poor workmanship or defects that could cause accelerated deterioration or adversely affect the function of the items will be corrected

##### c. *In-Process.*

(1) In-process inspections are an integral part of the maintenance procedures to assure that previous work is adequate and acceptable prior to proceeding with further operations.

(2) Since these inspections are part of the maintenance procedures contained in chapter 4, they will not be specifically covered in this chapter

##### d. *Final Acceptance*

(1) Ammunition items will be inspected after maintenance has been completed. The final acceptance inspection will determine whether or not maintenance accomplished has returned unserviceable munitions to an acceptable condition.

(2) Quality assurance specialist (ammunition) or MOS 55x40 personnel under the guidance of a quality assurance specialist (ammunition) will perform this inspection prior to returning the material to its storage area.

#### 3-4. Inspection Methods

a. *Visual Inspection.* Careful observation of item, noting listed defects and any other abnormalities.

b. *Manual Inspection.* Movement by hand of area of item to determine if listed defect(s) exists (e.g., incorrect loose part).

c. *Gage inspection.* Checking an item with a measuring instrument or a standard mating piece to determine if its size is acceptable in certain critical areas. Defects are derived from either predetermined standards or on a "go" – "no go" basis (e.g., a ring gage).

#### 3-5. Extent of Inspections

a. *Sealed Packages.* During serviceability inspections, items packed in barrier bags, jungle wrap or sealed cans should not be opened for inspection unless sealed package has been opened or there is a specific reason to suspect damage. Therefore, sealed packages will usually be subjected only to visual inspection.

b. *Processed Items.* All processed items will be subjected to in-process inspections and a final acceptance inspection.

**Section II. CLASSIFICATION OF MATERIAL DEFECTS**

**3-6. General**

Ammunition and packaging defects, listed in table 3-1, provide the method of inspection for categories of defects required during maintenance. Categories of defects are defined in SB 742-1. An acceptable quality level (AQL) established for each defect is provided in table 3-1 for evaluation during final acceptance inspection.

**3-7. In-Process and Final Inspection**

a. All items (ammunition and packing materials) processed will be subject to in-process and final inspection to assure acceptability

b. In-process and final inspections will be included as an integral part of all maintenance procedures.

**3-8. Disposition of Lots**

a. Each lot that meets the acceptable quality level (AQL) in table 3-1 is acceptable for issue and use. Critical defective(s) will be removed from otherwise acceptable lots and destroyed.

b. Lots found with defects will be inspected 100 percent and reworked within the capability of the unit, as specified in the maintenance allocation chart (MAC). If required maintenance is beyond the capability of the unit, request disposition instructions through ammunition maintenance channels.

c. Any maintenance operation which results in a change to the information on the lot ammunition data card requires the addition of an alphabetic suffix to the lot number. Lot suffixes for each lot or operation will be obtained through ammunition maintenance channels.

Table 3-1. Classification of Material Defects  
GENERAL PACKAGING

| Component                               | Category | Defect   | Method of inspection | Reference        | AQL  |
|---|----------|--|----------------------|------------------|------|
| Outer container                         | Major    | Damaged, weather, or rotted to extent contents are not protected or container is no longer structurally sound. | Visual               | TM 9-1340-222-20 | 0.40 |
|   | Major    | Container cap or closure insecure to extent contents are not protected.  | Visual/Manual        | TM 9-1340-222-20 | 0.40 |
|   | Major    | Contents loose to extent item may be damaged in handling.  | Visual/Manual        | TM 9-1340-222-20 | 0.40 |
|   | Minor    | Hardware or banding loose, missing, broken, or ineffective.  | Visual/Manual        | TM 9-1340-222-20 | 0.65 |
|   | Minor    | Handle or cleat missing or broken.   | Visual               | TM 9-1340-222-20 | 0.65 |
| Inner container                         | Major    | Damaged to extent contents are not protected or cannot be readily removed                                      | Visual/Manual        | TM 9-1340-222-20 | 0.40 |
|   | Major    | Barrier bag improperly sealed, torn, cut, or otherwise penetrated  | Visual               | para 4-7c        | 0.40 |
|   | Minor    | Wet (except metal), rusted, moldy, or mildewed   | Visual               | TM9-1340-222-20  | 0.65 |
|   | Minor    | Barrier bag edges delaminating but not yet unsealed  | Visual               | para 4-7c        | 0.65 |
| <b>PALLETS, WOODEN BOXES AND CRATES</b> |          |  |                      |                  |      |
| Hardware                                | Minor    | Inoperative or loose   | Visual/Manual        | TM 9-1340-222-20 | 0.65 |
|   | Minor    | Nails, screws, and fasteners which can be replaced or properly sealed  | Visual               | TM 9-1340-222-20 | 0.65 |

Table 3-1. Classification of Material Defects - Continued

PALLETS, WOODEN BOXES AND CRATES - Continued

| Component | Category    | Defect   | Method of inspection | Reference        | AQL  |
|-----------|-------------|--|----------------------|------------------|------|
| Ends      | Major       | Damage which requires disassembly of box<br>Broken or missing cleats and handles   | Visual               | TM 9-1340-222-20 | 0.40 |
|           | Minor       |  | Visual               | TM 9-1340-222-20 | 0.65 |
| Wood      | Major       | Splits closer than 1 inch to edge of board or adjoining split or over 1/8 inch wide  | Visual               | TM 9-1340-222-20 | 0.40 |
|           | Major       | Warping which prevents insertion or removal of rounds and/or sealing of box  | Visual/Manual        | TM 9-1340-222-20 | 0.40 |
|           | Major       | Excessive mildew and mold which cannot be removed and which render markings illegible  | Visual               | TM 9-1340-222-20 | 0.40 |
|           | Major       | Holes or loose knots which exceed 1-1/2 inches in largest diameter or 1/3 width of board   | Visual               | TM 9-1340-222-20 | 0.40 |
|           | Major       | Knots greater than 1/4 the width of the skid<br>Splits over 3 inches but no closer than 1 inch to edge of board or adjoining split; or 1/8 inch wide, which can be repaired by use of corrugated fasteners | Visual               | TM 9-1340-222-20 | 0.40 |
|           | Minor       |  | Visual               | TM 9-1340-222-20 | 0.65 |
| Minor     | Loose skids | Visual   | TM 9-1340-222-20     | 0.65             |      |
| Strapping | Minor       | Missing, rusted, or distorted  | Visual               | TM 9-1340-222-20 | 0.65 |
| Wires     | Major       | Broken or rusted   | Visual               | para 4-7b        | 0.40 |
| Marking   | Major       | Incorrect and/or illegible   | Visual               | para 4-11        | 0.40 |

FIBER CONTAINERS

|              |  |  |               |                  |      |
|--------------|--|--|---------------|------------------|------|
| Metal ends   | Major  | Perforations, excessive rust, or ends which are crushed or not securely crimped to body                                    | Visual        | TM 9-1340-222-20 | 0.40 |
| Body and cap | Major  | Cuts, tears, or gouges closer than 1 inch to closure, more than 1/2 square inch in area, or through all impregnated layers | Visual        | TM 9-1340-222-20 | 0.40 |
|              | Major  | Molded, mildew, or rotted  | Visual        | TM 9-1340-222-20 | 0.40 |
|              | Major  | Wrinkled or peeling  | Visual        | TM 9-1340-222-20 | 0.40 |
|              | Major  | Blisters with combined area of more than 1 inch to closure, less than 1/2 square inch                                      | Visual        | TM 9-1340-222-20 | 0.40 |
|              | Major  | Wet or soft containers   | Visual/Manual | TM 9-1340-222-20 | 0.40 |
| Minor        | Cuts, tears, or gouges not closer than 1 inch to closure, less than 1/2 square inch in area, and unpenetrated layers which can be spot painted | Visual   | para 4-11     | 0.65             |      |
| Marking      | Major  | Incorrect and/or illegible   | Visual        | para 4-11        | 0.40 |

METAL CONTAINERS

|      |       |   |        |                  |      |
|------|-------|---|--------|------------------|------|
| Body | Major | Dents which impair the structural integrity of the material | Visual | TM 9-1340-222-20 | 0.40 |
|      | Major | Loose or leaking seams                                      | Visual | TM 9-1340-222-20 | 0.40 |
|      | Major | Rust which has caused pitting and perforations              | Visual | TM 9-1340-222-20 | 0.40 |
|      | Major | Perforated  | Visual | TM 9-1340-222-20 | 0.40 |
|      | Major | Damaged supports which are integral to container            | Visual | TM 9-1340-222-20 | 0.40 |

Table 3-1. Classification of Material Defects - Continued  
METAL CONTAINERS - Continued

| Component       | Category | Defect   | Method of inspection | Reference        | AQL  |
|-----------------|----------|--|----------------------|------------------|------|
| Body (cont.)    | Major    | Gasket, missing, damaged, or deteriorated  | Visual               | TM 9-1340-222-20 | 0.40 |
|                 | Minor    | Dents deeper than ¼ inch which may be removed without weakening structure of container | Visual               | TM 9-1340-222-20 | 0.65 |
|                 | Minor    | Minor rust which can be removed  | Visual               | para 4-6         | 0.65 |
|                 | Minor    | Supports which can be replaced   | Visual               | TM 9-1340-222-20 | 0.65 |
| Caps and covers | Major    | Rust which has caused excessive pitting  | Visual               | TM 9-1340-222-20 | 0.40 |
|                 | Major    | Perforated   | Visual               | TM 9-1340-222-20 | 0.40 |
|                 | Minor    | Minor rust which can be replaced   | Visual               | para 4-6         | 0.65 |
| Marking         | Major    | Incorrect and /or illegible  | Visual               | para 4-11        | 0.40 |

METAL BOXES

|                |       |   |        |                  |      |
|----------------|-------|---|--------|------------------|------|
| Body and cover | Major | Extensive pitting and rust  | Visual | TM 9-1340-222-20 | 0.40 |
|                | Major | Split seams   | Visual | TM 9-1340-222-20 | 0.40 |
|                | Major | Dents, which cause creases or folds in metal which can be removed           | Visual | TM 9-1340-222-20 | 0.40 |
|                | Major | Perforated  | Visual | TM 9-1340-222-20 | 0.40 |
|                | Major | Missing or broken separators  | Visual | TM 9-1340-222-20 | 0.40 |
|                | Minor | Minor rust which can be removed   | Visual | para 4-6         | 0.65 |
|                | Minor | Dents exceeding 4 square inches per side, end or top, or deeper than ¼ inch | Visual | TM9-1340-222-20  | 0.65 |
|                | Minor | Damaged or missing gaskets  | Visual | TM 9-1340-222-20 | 0.65 |
| Marking        | Major | Incorrect and/or illegible  | Visual | para 4-11        | 0.40 |

66MM LAW<sup>1</sup>

|          |          |  |        |           |      |
|----------|----------|--|--------|-----------|------|
| Launcher | Critical | Outer tube cracked   | Visual | -         | 1.00 |
|          | Critical | Inner tube dented  | Visual | -         | 1.00 |
|          | Critical | Igniter tube broken or kinked  | Visual | -         | 1.00 |
|          | Critical | Evidence of filler exudation, heavy corrosion or epoxy deposits in inner tube                            | Visual | -         | 1.00 |
|          | Critical | Words "w/coupler" missing from nomenclature and suffix letter "R" missing from lot number (except M72A3) | Visual | para 4-11 | 1.00 |
|          | Major    | Launcher cannot be fully extended or locked  | Manual | -         | 0.40 |
|          | Major    | Buffer plate on M72A3 missing  | Visual | -         | 0.40 |
|          | Major    | Pull pin missing   | Visual | -         | 0.40 |
|          | Major    | System cannot be armed   | Manual | -         | 0.40 |
|          | Major    | Front or rear sights broken  | Visual | -         | 0.40 |
|          | Major    | Marking obliterated to extent that item or lot number cannot be positively identified                    | Visual | para 4-11 | 0.40 |

2.75-INCH LSFFAR<sup>2</sup> AND SSWAFAR

|                              |          |  |               |  |      |
|------------------------------|----------|--|---------------|--|------|
| Warheads (fused and unfused) | Critical | Filler exudation   | Visual        |  | 1.00 |
|                              | Critical | Cracks in warhead  | Visual        |  | 1.00 |
|                              | Major    | Rust on metal surfaces or threads extensive enough to prevent assembly and/or affect metal integrity | Visual/Manual |  | 0.40 |

<sup>1</sup>Inspection procedures which require to be extended will be performed only on weapon systems which have been turned in unpacked (removed from barrier bag) on an individual (one-at-a-time) basis.

<sup>2</sup>Do not turn or rotate nozzle assembly.

Table 3-1. Classification of Material Defects - Continued  
2.75-INCH LSFFAR AND SSWAFAR - Continued

| Component                           | Category | Defect  | Method of inspection | Reference          | AQL  |
|-------------------------------------|----------|---|----------------------|--------------------|------|
| Warheads (fuzed and unfuzed) (cont) | Major    | Dents, deep scratches, or gouges  | Visual               | -                  | 0.40 |
|                                     | Major    | Painting and marking obliterated to extent that item cannot be positively identifies                      | Visual               | paras 4-9 and 4-11 | 0.40 |
| Fuzes                               | Critical | Cracks in fuze body   | Visual               | -                  | 1.00 |
|                                     | Major    | Rust on metal surfaces or threads extensive enough to prevent assembly and/or affect metal integrity      | Visual/Manual        | -                  | 0.40 |
|                                     | Major    | Dents, deep scratches, or gouges  | Visual               | -                  | 0.40 |
|                                     | Major    | Marking obliterated to extent that item cannot be positively identified                                   | Visual               | para 4-11          | 0.40 |
|                                     | Major    | Umbilical assembly missing (remote set fuzes only)  | Visual               |                    | 0.40 |
| Motors                              | Critical | Shorting clip or fin protector missing (MK4 or MK40 motors)   | Visual               |                    |      |
|                                     | Critical | Shielding fin restraint band missing or damaged (MK66 Mods1, and 2)                                       | Visual               |                    |      |
|                                     | Critical | Cracks in motor casing  | Visual               | -                  | 1.00 |
|                                     | Critical | Dents (1/8-inch or more in depth) to extent that propellant grain may have been broken                    | Visual               | -                  | 1.00 |
|                                     | Critical | Electromagnetic Radiation Shield (EMR) missing or damaged (MK66 Mod 3)                                    | Visual               | -                  | 1.00 |
|                                     | Critical | Missing or damaged weather seal (MK66 motor)  | Visual               | -                  | 1.00 |
|                                     | Critical | Loose nozzles and fin assembly  | Manual               | -                  | 0.40 |
|                                     | Critical | Broken lead wire  | Visual               | -                  | 0.40 |
|                                     | Critical | Missing fin or hinge pin  | Visual               | -                  | 0.40 |
|                                     | Major    | Corrosion on metal surfaces or threads extensive enough to prevent assembly and/or affect metal integrity | Visual/Manual        | -                  | 0.40 |
|                                     | Major    | Lockwire distorted or improperly assembled - protrudes above surface of rocket motor tube                 | Visual               | -                  | 0.40 |
|                                     | Major    | Painting and marking obliterated to extent item cannot be identified                                      | Visual               | paras 4-9 and 4-11 | 0.40 |
| Assembled complete round            | Critical | Filler exudation  | Visual               | -                  | 1.00 |
|                                     | Critical | Cracks in warhead   | Visual               | -                  | 1.00 |
|                                     | Major    | Loosely assembly components (e.g., fuze to warhead or warhead to motor)                                   | Manual               | TM 9-1340-222-20   | 0.40 |

3.5-INCH ROCKETS

|                    |          |   |        |   |      |
|--------------------|----------|---|--------|---|------|
| Assembled complete | Critical | Filler exudation  | Visual | - | 1.00 |
|                    | Critical | Cracks in warhead, fuze, or motor   | Visual | - | 1.00 |
|                    | Critical | Shorting clip missing   | Visual | - | 1.00 |
|                    | Critical | Heavily corroded fin shroud   | Visual | - | 1.00 |
|                    | Critical | Fuze ejection pin missing   | Visual | - | 1.00 |
|                    | Critical | Deep dents on motor body  | Visual | - | 1.00 |
|                    | Critical | Gap between warhead and fuze  | Visual | - | 1.00 |
|                    | Critical | Heavily corroded shorting clip or heavy corrosion of electrical contacts around shorting clip | Visual | - | 1.00 |
|                    | Major    | Fuze ejection pin not free to move  | Manual | - | 0.40 |
|                    | Major    | Broken ignition wires   | Visual | - | 0.40 |
|                    | Major    | Extensive corrosion on warhead or rocket motor  | Visual | - | 0.40 |

Table 3-1. Classification of Material Defects - Continued  
 3.5-INCH ROCKETS - Continued

| Component           | Category | Defect   | Method of inspection | Reference | AQL  |
|---------------------|----------|--|----------------------|-----------|------|
| Assembled completed | Major    | Loose rivets or electrical connectors                                | Manual               |           | 0.40 |
|                     | Major    | Nozzle closure and wires not properly sealed with rubber adhesive    | Visual               |           | 0.40 |
|                     | Major    | Damaged nozzle, shroud, or fins                                      | Visual               |           | 0.40 |
|                     | Major    | Painting and marking obliterated to extent item cannot be positively | Visual               |           | 0.40 |

ROCKET MOTOR M3A2E1 (JATO)

| Component               | Category | Defect  | Method of inspection | Reference | AQL  |
|-------------------------|----------|---|----------------------|-----------|------|
| Assembled complete item | Critical | Cracks in body or nozzle  | Visual               |           | 1.00 |
|                         | Critical | Nozzle loose on body  | Manual               |           | 1.00 |
|                         | Critical | Nozzle distorted  | Visual               |           | 1.00 |
|                         | Major    | Igniter plug assembly loose or damaged  | Manual/Visual        |           | 0.40 |
|                         | Major    | Painting and marking obliterated to extent item cannot be positively identified | Visual               |           | 0.40 |



**CHAPTER 4  
MAINTENANCE PROCEDURES**

---

**Section I. INTRODUCTION**

**4-1. General**

a. Direct support (DS) and general support (GS) maintenance operations are restricted to the procedures in this manual, TM 9-1340-203-20, and in TM 9-1340-222-20, as indicated in the maintenance allocation chart.

b. Repair parts, packing materials, and expendable supplies (appendixes B and C) required by DS and GS units will be locally stocked. DS and GS units are also responsible for receiving and storing packaging materials salvaged from expended ammunition and for providing technical assistance to operator and organizational units.

c. Before beginning maintenance operations, a line layout and standing operating procedures (SOP) are required. Guidelines for organizing the line and writing the SOP are contained in TM 9-1300-250.

d. In general, maintenance operations include but are not limited to the following:

- (1) Cleaning and preservation of individual items and packaging materials.
- (2) Removal of light rust and corrosion.
- (3) Repair and replacement of packaging materials.
- (4) Painting and markings.

e. Expendable supplies are listed in appendix C.

**4-2. Direct Support Maintenance**

a. Direct support maintenance is performed under the following conditions:

- (1) Upon receipt of unserviceable ammunition.
- (2) When maintenance is authorized to correct deficiencies in suspended ammunition lots
- (3) When operator and/or organizational units request on-site assistance.
- (4) When inspection of on-hand stocks reveals the need.

b. Refer to FM 9-19 for mission and organization

**4-3. General Support Maintenance**

General support maintenance is accomplished under the same conditions as direct support maintenance but on greater quantities of ammunition. Refer to FM 9-19 for mission and organization.

**4-4. Unpacking and Repacking**

Step-by-step unpacking and repacking procedures are given in TM 9-1340-222-20

**4-5. Inspection**

Premaintenance, in-process, and final inspection requirements are defined in Chapter 3.

**Section II. CLEANING**

**4-6. General**

**WARNING**

- DO NOT USE ANY ELECTRICAL EQUIPMENT AROUND AMMUNITION UNLESS IT HAS A NATIONAL ELECTRICAL CODE RATING OF

**CLASS I FOR FLAMMABLE VAPOR, CLASS II FOR EXPLOSIVE DUSTS (INCLUDING AMMUNITION), OR IS DUAL RATED IF BOTH VAPOR AND DUSTS ARE PRESENT**

- GROUND ALL AMMUNITION CONTAINING EXPLOSIVES.

a. *Tool and Equipment.*

- (1) Disposable flammable waste can.
- (2) Nonferrous brush.
- (3) Plunger type safety can.

b. *Expendable Supplies.*

- (1) Alcohol.
- (2) Acetone.
- (3) Corrosion removing compound.
- (4) Rags.
- (5) Sandpaper (abrasive).

c. *Procedure*

**WARNING**

**FUZE CAVITY LINER MUST BE IN PLACE PRIOR TO CLEANING FUZE WELL OR THREADS WITH SMALL STAINLESS STEEL BRUSH.**

**CAUTION**

STORE RAGS IN NONCOMBUSTIBLE SELF-CLOSING CONTAINERS. PLACE WASTES OR USED RAGS IN WATER FILLED CONTAINERS. AREAS WILL BE WELL VENTILATED WHERE SOLVENTS AND PAINTS ARE USED

(1) Remove dirt, mud and other foreign material using rags or brushes. Use rags dampened with alcohol or acetone to remove grease.

(2) Using nonferrous brush, remove flaked, chipped, blistered, or peeling paint.

(3) Remove rust using nonferrous brush and sandpaper.

(4) If rocket does not have a fuze cavity liner, clean fuze well and threads with clean dry rags.

**NOTE**

Do not use rags dampened with alcohol or acetone.

(5) If rocket does have a fuze cavity liner, clean fuze well and threads with a small stainless steel brush and rags dampened with alcohol or acetone.

(6) Clean corrosion from alluminum or copper-based metals by first brushing with a nonferrous brush and then removing residue with rags and corrosion removing compound.

(7) Clean only to degree necessary to remove dust or corrosion.

(8) Inspect cleaned items for cracks or other damage or deterioration.

(9) Allow solvent-cleaned surfaces to dry thoroughly before painting.

**Section III. REPAIR**

**4-7. Packaging Materials**

a. *General* Detailed procedures for authorized repair of most packaging materials are given in TM 9-1340-222-20. Procedures authorized at DS or GS levels are presented below

b. *Wirebound Box Loops.*

- (1) *Tools and equipment.*
  - (a) Hammer.
  - (b) Tin snips.

(c) Wire cutter.

(2) *Expendable supplies.*

- (a) Repair loop, 13 gauge wire.
- (b) Wire.

(3) *Procedure.* This procedure is preferred if appropriate wire cutter and repair loops are available. If these cannot be obtained, proceed to alternate repair procedure (4) below

**NOTE**

Refer to figure 4-1 for the following procedure:

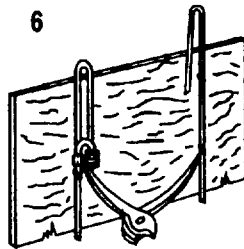
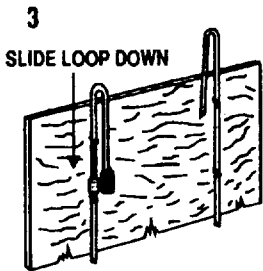
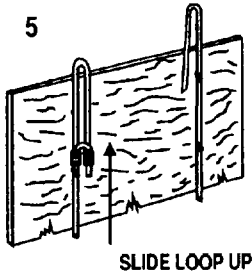
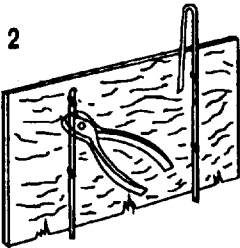
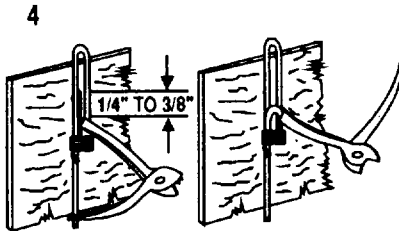
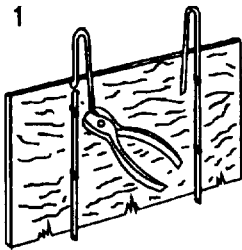
- (a) Remove broken loop by cutting wire (step 1).
- (b) Cut first staple and release wire (step 2).

(c) Slide one end of repair loop onto binding wire (step 3)

(d) Place notch of wire cutter one fourth inch to three-eighths inch from end of wire - and bend wire into half circle (step 4).

(e) Insert bent end of wire into repair loop coil and slide loop up (step 5).

(f) Lock repair loop in place by giving the end of the wire a further bend with notch of wire cutter (step 6).



U  
AR 100333

Figure 4-1. Repairing loops on wirebound box.

(4) *Alternate procedure.* Repair broken wire loop on a wirebound box if both legs of broken loop are securely fastened to box as follows:

(a) Cut off broken loop even with top edge of box.

(b) Using pliers, bend remaining wire legs back one-half inch, forming half circles.

(c) Cut a 6-inch length of wire to replace broken loop.

(d) Bend repair wire in half to form a "U" shape. Then bend about one-half-inch of each leg outward about 150°.

(e) Hook bent legs of repair wire into half circles of box wires.

(f) Twist ends of repair wire around ends of box wires.

(g) Place box on hard surface or place a steel bar under repair area.

(h) Secure repair by hammering each half circle on box wire where it is connected to repair wire.

c. *Barrier Bags.*

**NOTE**

The following procedure is only authorized at GS level:

(1) *Tools and equipment.*

- (a) Heat sealing machine.
- (b) Scissors or knife.

(2) *Expendable supplies.*

- (a) Barrier material.
- (b) Tape PPP-T-60.

(3) *Procedure.* This procedure is basically a repacking procedure but is listed here because it will normally be undertaken on a repair basis. Only reseal items that have been completely inspected and found serviceable.

(a) Receive bag from unpacking operation. Trim open end straight if necessary.

(b) Inspect barrier bag and accept or reject as required.

(c) Acceptable bags are intact, except for opening slit, and can be resealed after contents are reinserted.

(d) If bag corners are delaminated but bag is otherwise intact and can be sealed, use heat sealing machine to relaminate corners.

(e) Set rejects aside for later disposal.

(f) If markings are obliterated on otherwise undamaged bags, remark as instructed in paragraph 4-11.

(g) If a new barrier bag is required, proceed according to replacement procedure according to replacement procedures outlined in either (h) or (i).below.

(h) If two sheets of barrier material are to be utilized, proceed as follows:

1. Cut two sheets equal to outside width and outside length of original bag.

2. Place two cut sheets together, plastic-coated surfaces together, and align edges.

3. Seal bottom and two longest edges using heat sealing machine.-

(j) Leave shortest edge of bag unsealed for bag opening

(k) Heat seals shall be a minimum of 1/2 inch wide.

(l) Assure that item to be repacked and packing materials are clean and dry.

(m) Place item(s) into original inner pack in original materials. Use extra padding materials to fill voids and to prevent item from moving. Tape inner pack to secure it if necessary.

(n) Place inner pads in barrier bag in original orientation using creases, etc., as a guide.

(o) Heat-seal bag opening except for approximately 1 inch from end.

(p) Flatten bag around inner pack and press sides of open end of bag together to force out excess air.

Compress open corners of bag with fingers to prevent entrance of air and seal remaining unsealed portion of bag opening. Seal full width of sealing bar.

(q) Heat shall be a minimum of 1/2 inch wide.

(r) Check to see that seal is complete.

(s) Fold sealed end in original manner as indicated by impressions in bag.

(t) Mark as instructed in paragraph 4-11.

#### Section IV. TOUCHUP, PAINTING, AND MARKING

#### 4-8. Touchup

##### a. Tools and equipment.

- (1) Disposable flammable waste can.
- (2) Paint brush.
- (3) Plunger type safety can
- (4) Respirator.
- (5) Small brush.
- (6) Paint sprayer,

##### b. Expendable supplies.

- (1) Alcohol, denatured.
- (2) Clean rags.
- (3) Disposable plastic gloves.
- (4) Enamel of appropriate color.
- (5) Ink, marking stencil.
- (6) Masking tape.
- (7) Primer, zinc chromate
- (8) Sandpaper (abrasive)

##### c. Procedure.

(1) Carefully record all marking data in event it is removed or obliterated during processing.

(2) Clean item according to section II.

(3) Lightly buff cleaned bare metal surface and surrounding paint with fine sandpaper.

(4) Remove loosened particles by wiping surface of item with clean rag dampened with alcohol.

w

(5) Cover legible markings and threaded surfaces with masking tape.

#### **CAUTION**

#### **WEAR RESPERATOR DURING SPRAY PAINT OPERATIONS.**

(6) Using spray gun, spray can, or brush, cover bare metal with thin coat of zinc chromate primer.

(7) Air-dry 30 to 60 minutes or until surface is no longer tacky.

(8) If spray gun or spray can is used, cover primed area with two very thin coats of appropriate color enamel, allowing first coat to dry thoroughly before applying second coat.

(9) If brush is used, cover primed area evenly with one thin coat of appropriate color enamel.

(10) Air-dry 30 to 60 minutes or until surface is no longer tacky.

(11) Remove masking tape.

(12) Touch up markings using a small paint brush or re-stencil as required (para 4-11).

**4-9. Painting**

a. *General*

**NOTE**

- Repaint rockets, rocket components, and metal containers which have been cleaned extensively or to degree that large areas of metal surface are bare.
- Temperature of both paint and item to be painted must be between +50°F and +100°F for paint to adhere and dry properly. Ambient (surrounding air) temperature must be above +50°F.
- 2.75-Inch Rocket metal containers PA 150 and PA 151 will be painted in accordance with procedures for touchup in paragraph 4-8c.

(1) *Tools and equipment*

- (a) Disposable flammable waste can.
- (b) Improvised setups (prefabricated).
- (c) Launcher, 2.75-inch rocket.
- (d) Paint brush.
- (e) Paint sprayer
- (g) Respirator.

(2) *Expendable supplies*

- (a) Alcohol, denatured.
- (b) Clean rags.
- (c) Disposable plastic gloves.
- (d) Enamel of appropriate color.
- (e) Masking tape.
- (f) Primer, zinc chromate.
- (g) Sandpaper (abrasive).

(3) *Procedure.*

- (a) Carefully record all marking data in event it is removed or obliterated during processing
- (b) Clean item according to section II.
- (c) Remove as much paint as possible with cleaning materials furnished.
- (d) Lightly buff cleaned bare metal surface and any remaining paint with fine sandpaper.
- (e) Remove loosened particles by wiping surface of item with clean rag dampened with alcohol.
- (f) Cover any parts (threads, etc.) not to be painted with masking tape.
- (g) Use improvised setups to suspend or cradle item to be painted.

**CAUTION**

**WEAR RESPIRATOR DURING SPRAY PAINT OPERATIONS.**

- (h) Using spray gun, spot prime any bare metal with a of zinc chromate primer. Do not prime over painted surface. Assure that all bare metal is primed.
- (i) Air-dry 30 to 60 minutes or until surface is no longer tacky.
- (j) Using spray gun cover item surface evenly with one thin coat of appropriate color enamel.
- (l) Inspect to assure that paint covers the projectile completely, including old unwanted markings.
- (m) Touch up as required.
- (n) Remove masking tape.
- (o) Check diameter of 2.75-inch warheads after painting by gaging with launcher tube as follows:

**WARNING**

- CONTACT ARM OF LAUNCHER WILL PROVIDE DIRECT ELECTRICAL PATH TO MOTOR IGNITION CIRCUIT IF POWER SOURCE IS APPLIED TO CONTACT ARM WHEN LAUNCHER IS BEING LOADED/UNLOADED.
- ALL POSSIBLE SOURCES OF ELECTRICAL POWER SHALL BE KEPT AWAY FROM LAUNCHER. ENSURE ELECTRICAL EQUIPMENT, EVEN IF TURNED OFF AND UNPLUGGED, IS NOT IN THE VICINITY OF THE LOADED LAUNCHER

1. Select serviceable launcher tube with the minimum inside diameter.

2. Carefully insert warhead into launcher.

3. Insert whole round up to shorting clip (MR40 motor) or shielding for restraint band (MK66 motor).

4. If warhead cannot be inserted or if it binds badly while being inserted, reject and set is aside for stripping and repainting.

(p) Restore marking according to paragraph 4-11.

*b. Wood Packing Box*

**NOTE**

The normal reason for painting wooden boxes will be obliteration of old marking.

*(1) Tools and equipment.*

- (a) Disposable flammable waste can.
- (b) Paint brush.
- (c) Paint sprayer.
- (d) Plunger type safety can.
- (e) Respirator.

*(2) Expendable supplies.*

- (a) Enamel.
- (b) Obliterating lacquer.
- (c) Masking tape.
- (d) Primer, zinc chromate.

*(3) Procedure.*

- (a) Assure that box is clean and dry.
- (b) If legible, cover valid markings with masking tape.

**CAUTION**

WEAR RESPIRATOR DURING SPRAY PAINT OPERATIONS.

(c) Using paint brush or spray gun, cover unwanted markings with marking obliterating lacquer or olive drab enamel.

(d) Air-dry 30 to 60 minutes or until surface is no longer tacky.

(e) Inspect to assure complete coverage. Repaint as required.

(f) Remove masking tape.

(g) Mark as required according to instructions in paragraph 4-11.

*c. Fiber Tube Container.*

*(1) Tools and equipment.*

- (a) Disposable flammable waste can.
- (b) Paint brush.
- (c) Paint sprayer.
- (d) Plunger type safety can.
- (e) Respirator.

*(2) Expendable supplies.*

- (a) Coating compound.
- (b) Enamel, black.
- (c) Kraft paper.

- (d) Masking tape.
- (e) Primer, zinc chromate.
- (f) Rags.

(3) *Procedure.*

(a) Clean container and cap according to section II.

(b) Inspect and reject components with penetrations or rust which cannot be removed.

(c) Using kraft paper and masking tape, cover metal ends and unpainted inner tube.

**CAUTION**

**WEAR RESPIRATOR DURING SPRAY PAINT OPERATIONS.**

(d) Using brush or spray gun, cover outer surface of fiber tube and cap with coating compound.

(e) Air-dry 30 to 60 minutes or until surface is no longer tacky.

(f) Inspect to assure complete coverage. Repaint as required.

(g) Remove masking tape and kraft paper from cap and inner tube.

(h) Using masking tape and kraft paper, cover fiber surfaces.

**CAUTION**

**WEAR RESPIRATOR DURING SPRAY PAINT OPERATIONS**

(i) Using spray gun, cover metal with zinc chromate primer.

(j) Air-dry 30 to 60 minutes or until surface is no longer tacky.

(k) Using paint brush or spray gun, cover metal ends with black enamel.

(l) Air-dry 30 to 60 minutes or until surface is no longer tacky.

(m) Inspect to assure complete coverage. Repaint as required.

(n) Remove masking tape and kraft paper.

(o) Mark as instructed according to paragraph 4-11.

**4-10. Color Coding of Boxes With Light Loads**

a. *General.* Organizations will use this procedure when boxes with less than full contents are to be returned to storage area or transported to new location.

b. *Tools and Equipment.*

(1) Disposable flammable waste can.

(2) Paint brush.

(3) Plunger type safety can.

(4) Respirator.

(5) Small brush.

(6) Paint sprayer

c. *Expendable Supplies.*

(1) Disposable plastic gloves.

(2) Masking tape.

(3) Orange enamel or lacquer

d. *Procedure.* Paint boxes with less than full contents orange as follows:

(1) Check contents with markings on box to verify that nomenclature and lot number are correct.

(2) Make diagram of markings on box and carefully record all marking data except quantity figure.

(3) Cover original markings, except quantity number, with masking tape.

**CAUTION**

**WEAR RESPIRATOR DURING SPRAY PAINT OPERATIONS.**



(4) Using paint brush or spray gun, cover entire outer surface of box with orange enamel or lacquer.

(5) Air-dry box 30 to 60 minutes or until surface is no longer tacky.

(6) Remove masking tape.

(7) If required, re-mark box according to paragraph 4-11.

(8) Count quantity of items in box and mark number on box in the same position as original quantity figure.

(9) Stencil words "LIGHT BOX" on each side of box, using approximately same size letters as original quantity figure.

**4-11. Marking**

a. *General.*

(1) Assure that all incorrect markings are obliterated.

(2) Lettering sizes for marking of items and their packaging will be limited to the following five basic sizes: 1/8 inch, 1/4 inch, 1/2 inch, 3/4 inch and 1 inch. Marking shall be in capital letters of equal height as large as possible within the specified sizes and consistent with the available space.

(3) Marking sizes on current ammunition stocks will not be changed unless rework/renovation is performed requiring remarking.

(4) Clean all marking equipment as often as necessary and at the end of each shift or termination of job, whichever comes first.

b. *Tools and Equipment*

(1) Disposable flammable waste can.

(2) Fountain stencil brush.

(3) Masking tape.

(4) Plunger type safety can.

(5) Rubber type set.

(6) Worktable.

c. *Expendable Supplies.*

(1) Clean rags.

(2) Disposable plastic gloves,

(3) Masking tape.

(4) Solvent.

(5) Stencilboard.

(6) Stencil ink.

d. *Procedure or Packaging Materials.*

(1) Markings will be a color which contrasts with color of packaging material unless otherwise specified.

(2) See ammunition data card for specific markings or copy from old package.

(3) Refer to figures 4-2 through 4-5 for location and size of markings for metal container, fiber container, and wooden boxes.

(4) Inner packs must be marked with information usually found on item. If items have no inner packs, information must be stenciled on cardboard and included in repacked box.

(5) Apply markings by either rubber type or stencil method outlined in f, below.

- NOTES: A. APPLY MARKING PERPENDICULAR TO AXIS OF CONTAINER TO READ FROM TOP TO BOTTOM.
- B. SIZE OF LETTERS SHALL BE AS SHOWN WITH TOLERANCE OF PLUS OR MINUS 1/32 INCH
- C. STANDARD ABBREVIATIONS IN NOMENCLATURE AND CHANGES IN NUMBER OF WORDS PER LINE IS PERMISSIBLE

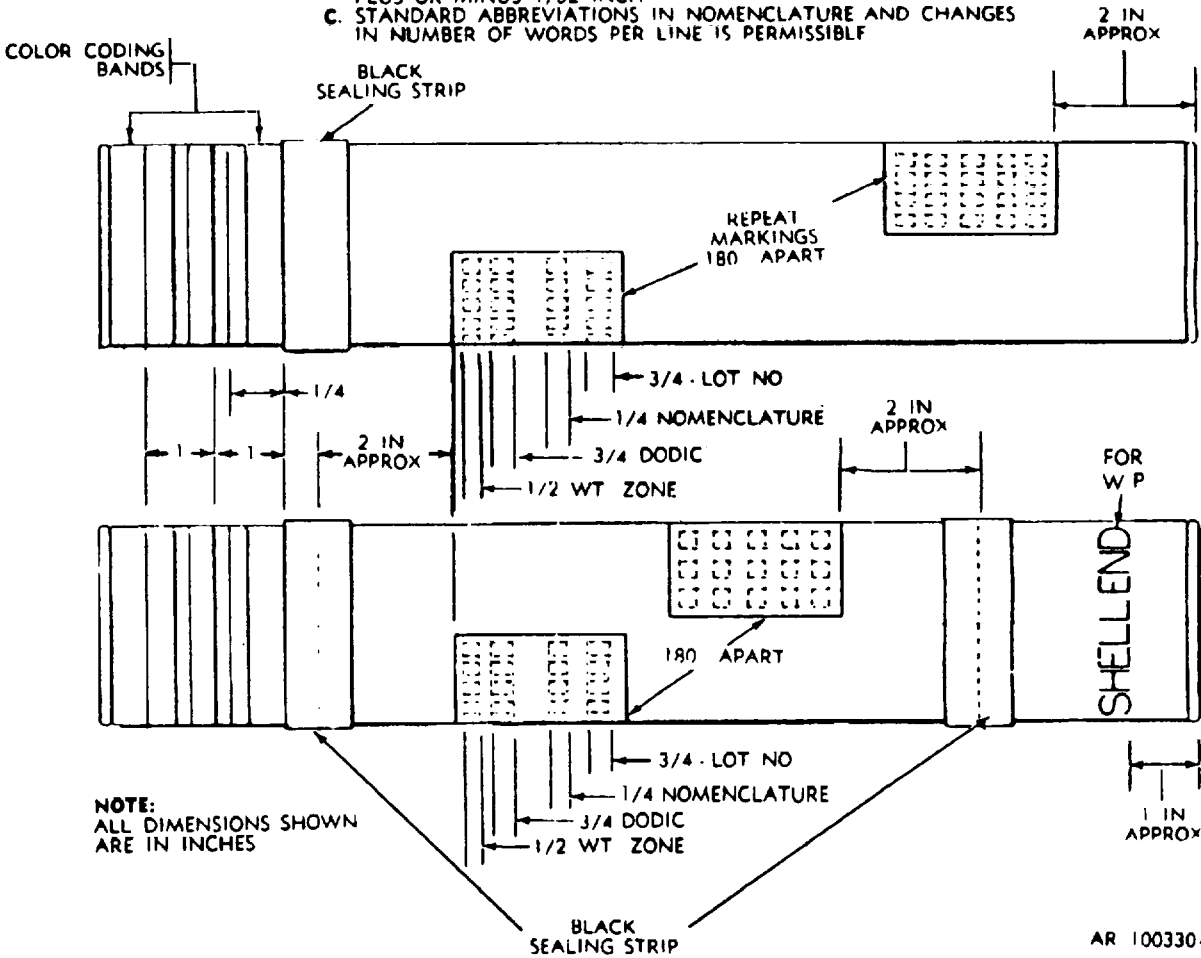
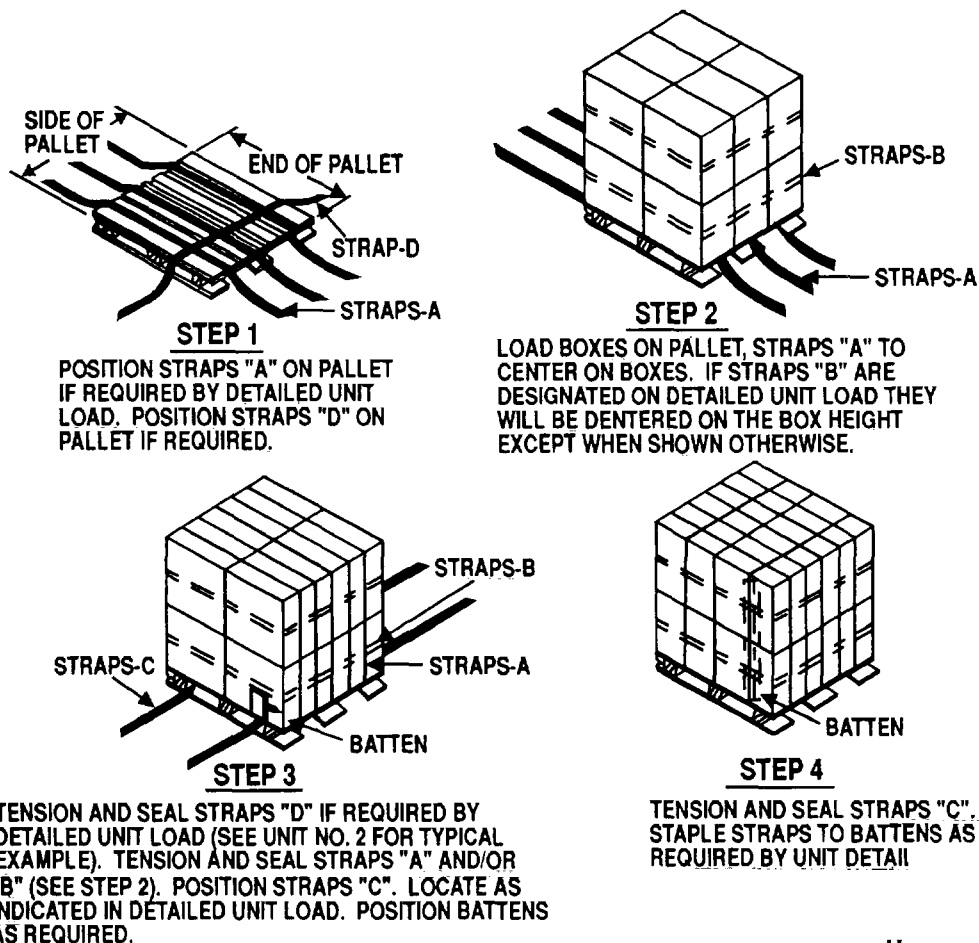


Figure 4-2. Marking on fiber containers

**GENERAL NOTES**

1. UNIT SHOWN HEREON IS PREPARED TO MEET THE FOLLOWING REQUIREMENTS.
  - A. GROSS WEIGHT APPROX 2000 LBS, NOT TO EXCEED 2200 LBS.
  - B. WEIGHT OF PALLET AND LOAD NOT TO EXCEED 52".
  - C. OVERHANG AVOIDED WHERE POSSIBLE, BUT SHOULD NOT EXCEED APPROX. 1" IN ANY DIRECTION. ONE INCH, TWO INCH, OR FOUR INCH BATTENS MAY BE USED AS REQUIRED.
  - D. BOXES SECURED TO THE PALLET BY STEEL STRAPPING 1-114" X .035, TYPE 1, CLASS A OR B, FED SPEC QQ-S-781A.
  - E. STRAPPING SECURED BY ONE 1-1/4" SEAL SECURED WITH A DOUBLE CRIMP, FED SPEC QO-S-766.
2. A MINIMUM OF 2 STAPLES WILL BE USED TO FASTEN EACH STRAP TO ITS BATTEN. STAPLES WILL NOT BE USED WITHOUT BATTENS. STAPLES AUTHORIZED ARE 1-3/8" X 3/4".
3. ADDITIONAL BANDING OR GIRTH BANDING MAY BE USED ON THE PALLET LOAD, AT THE DISCRETION OF THE SHIPPER.
4. FILLERS, CONSTRUCTED OF TWO INCH LUMBER, MAY BE USED TO COMPLETE PARTIAL LAYERS ON PALLET. FILLERS SHOULD BE PLACED ON INTERIOR OF TOP LAYER, WHEN PRACTICAL.
5. ALL WP AND PWP FILLED AMMUNITION WILL BE PLACED NOSE END UP EXCEPT ROCKETS AND RIFLE GRENADES WHICH WILL BE POSITIONED NOSE END DOWN.

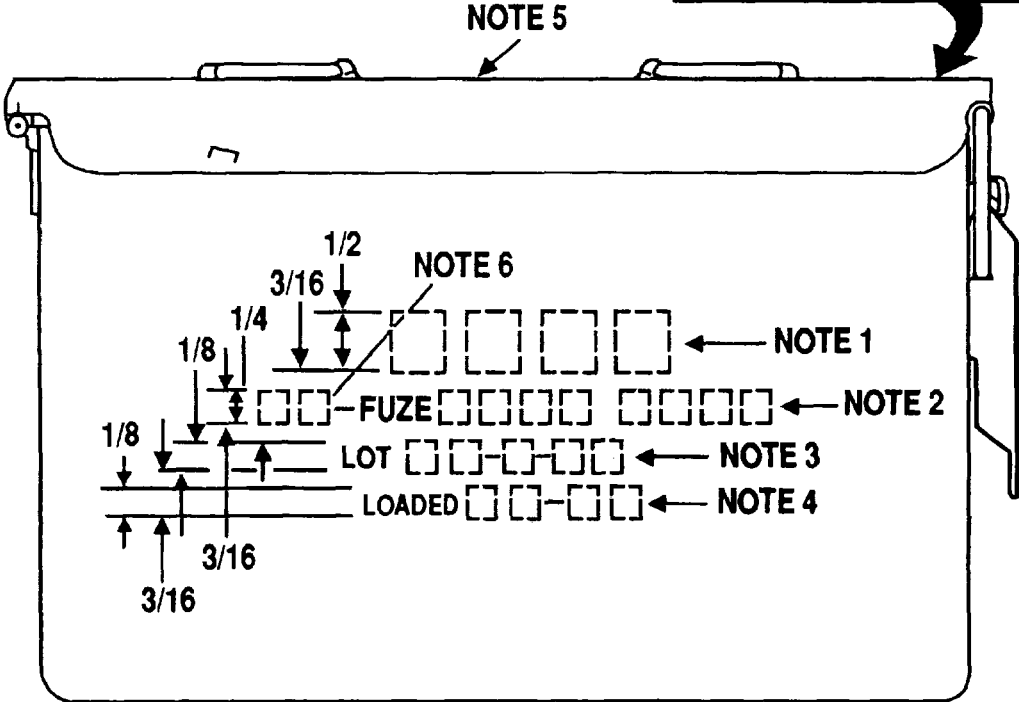
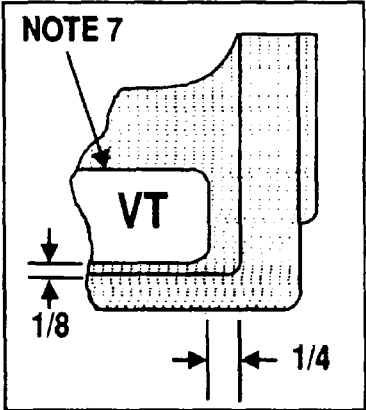


U  
AR 6436

Figure 4-3. Palletizing.

**NOTES:**

- 1 - INSERT DEPARTMENT OF DEFENSE IDENTIFICATION CODE.
- 2 - INSERT DESCRIPTIVE NOMENCLATURE.
- 3 - INSERT LOT NUMBER.
- 4 - INSERT DATE (MONTH AND YEAR) LOADED.
- 5 - MARK "PACKAGED WITH DESICCANT - DO NOT OPEN UNTIL READY FOR USE OR INSPECTION" ON TOP OF BOX IN ANY CONVENIENT UNOBSTRUCTED LOCATION. SIZE OF LETTERS TO BE APPROX 1/4 INCH HIGH.
- 6 - INSERT "8", "10" OR "12".
- 7 - VT DECAL, WHEN APPLICABLE.



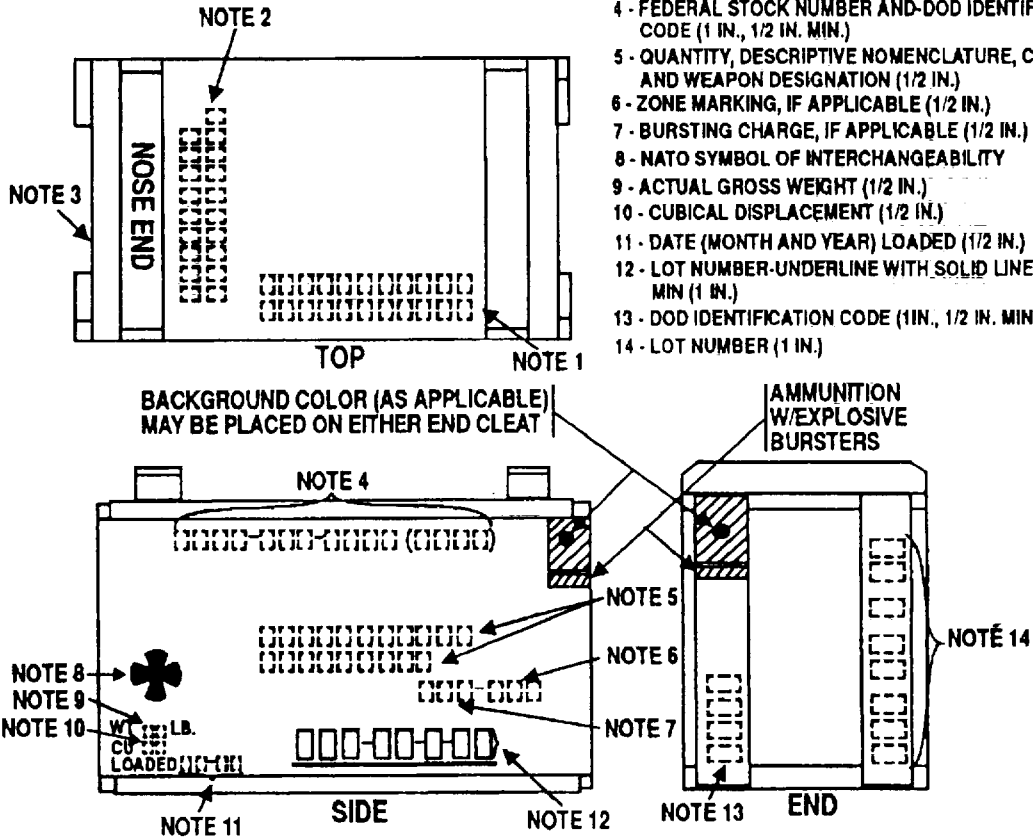
**NOTE:**  
**ALL DIMENSIONS SHOWN ARE IN INCHES**

**U**  
**AR 100331**

Figure 4-4. Typical marking diagram for metal containers.

NOTES:

- 1 - DOT MARKING (1/2 IN.)
- 2 - TEMP LIMIT (1/2 IN.)
- 3 - PART OF BOX CONTAINING NOSE END OF ROCKET AMMUNITION (1/2 IN.)
- 4 - FEDERAL STOCK NUMBER AND DOD IDENTIFICATION CODE (1 IN., 1/2 IN. MIN.)
- 5 - QUANTITY, DESCRIPTIVE NOMENCLATURE, CALIBER AND WEAPON DESIGNATION (1/2 IN.)
- 6 - ZONE MARKING, IF APPLICABLE (1/2 IN.)
- 7 - BURSTING CHARGE, IF APPLICABLE (1/2 IN.)
- 8 - NATO SYMBOL OF INTERCHANGEABILITY
- 9 - ACTUAL GROSS WEIGHT (1/2 IN.)
- 10 - CUBICAL DISPLACEMENT (1/2 IN.)
- 11 - DATE (MONTH AND YEAR) LOADED (1/2 IN.)
- 12 - LOT NUMBER-UNDERLINE WITH SOLID LINE 1/8 IN-WIDE MIN (1 IN.)
- 13 - DOD IDENTIFICATION CODE (1IN., 1/2 IN. MIN.)
- 14 - LOT NUMBER (1 IN.)



U  
AR 100332-A

Figure 4-5. Typical marking diagram for wooden boxes.

e. Procedure for Rockets

(1) Refer to table 4-1 for painting and marking data for rockets and rocket weapon systems. General colors will be the same as they were originally.

**NOTE**

The words "W/LINER" will not always appear in warhead marking. Include "W/LINER" in

marking only when it appeared originally on warheads.

(2) For specific markings, see ammunition data card or another item from the same lot.

(3) Refer to figure 4-6 through 4-11 for location and size of markings.

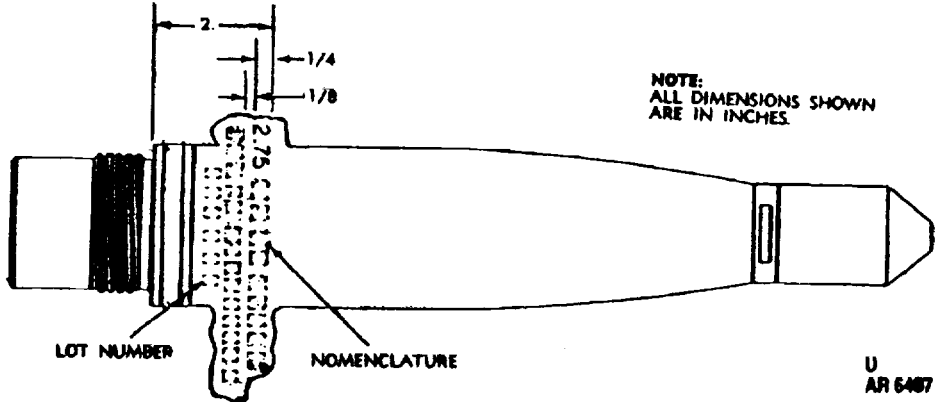


Figure 4-6. Typical marking diagram for 2.75-inch rocket warhead.

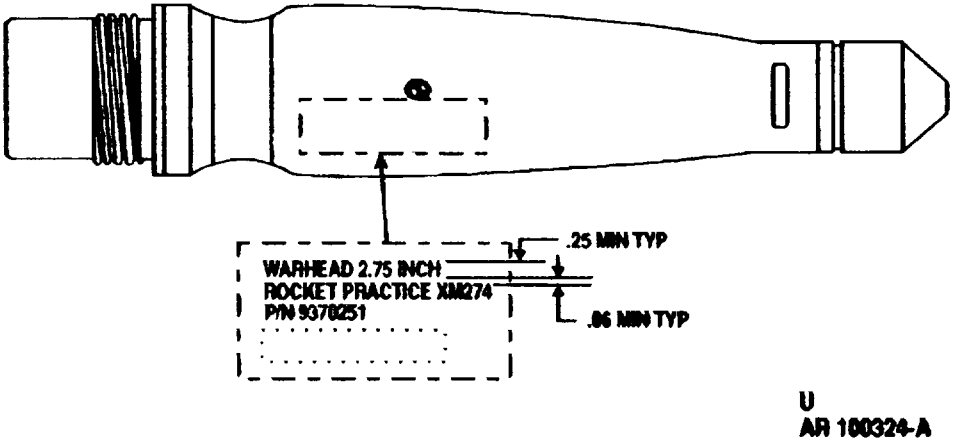
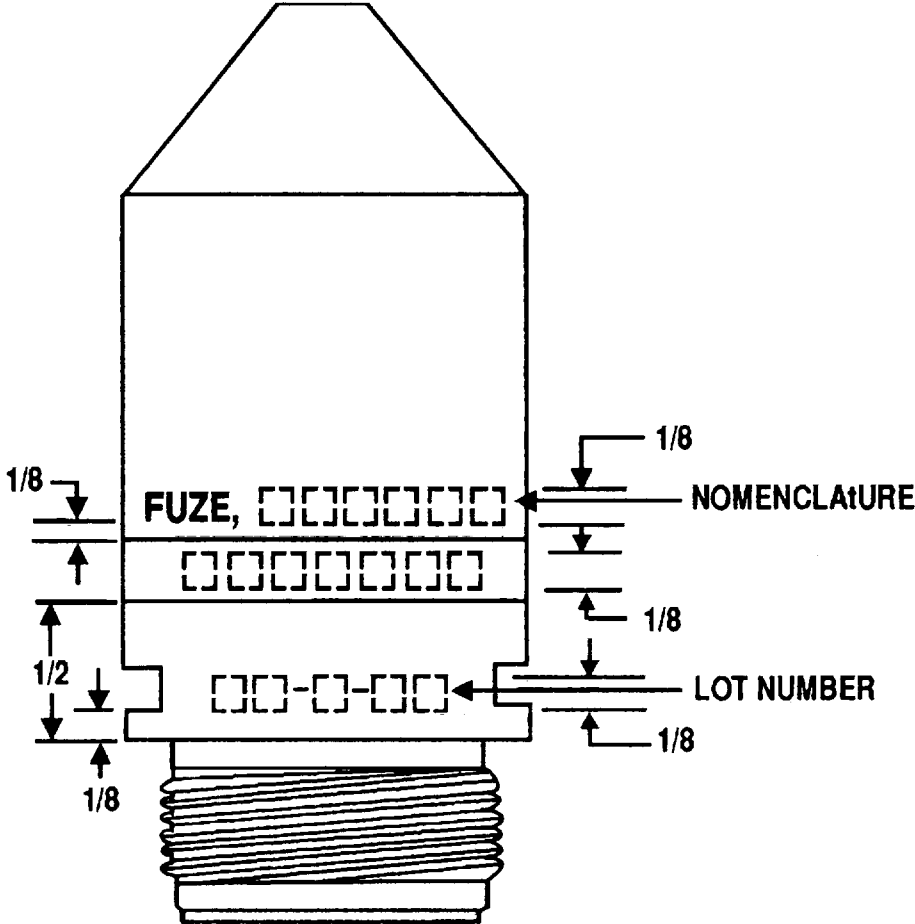


Figure 4-7. Marking diagram for 2.75-inch M274 rocket warhead



**U**  
**AR 100325**

Figure 4-8. Typical marking diagram for 2.75-inch rocket fuzes,

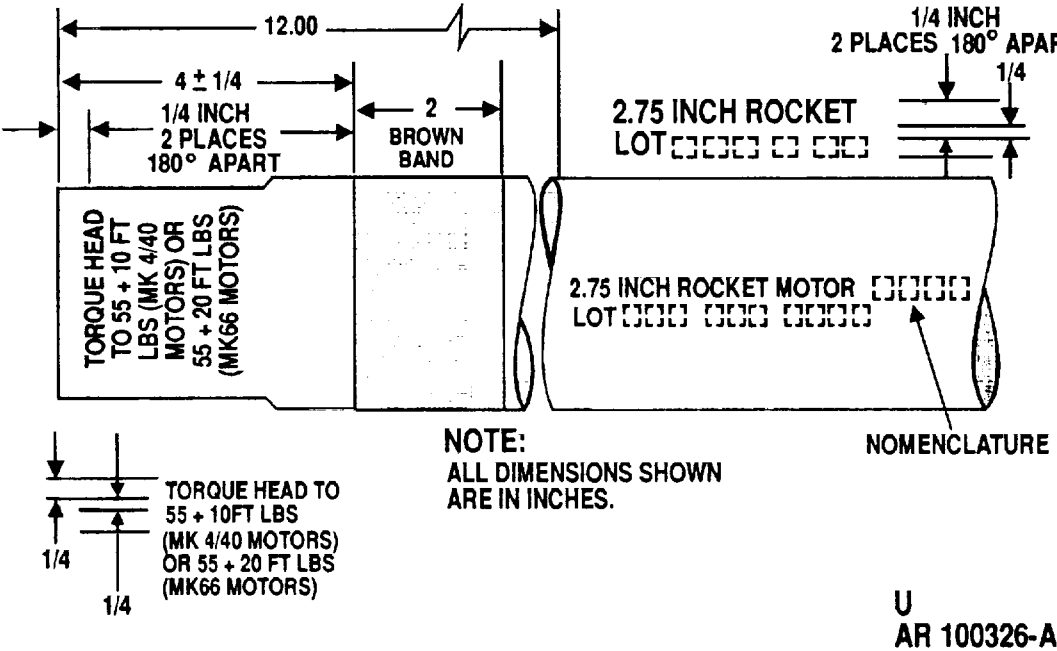
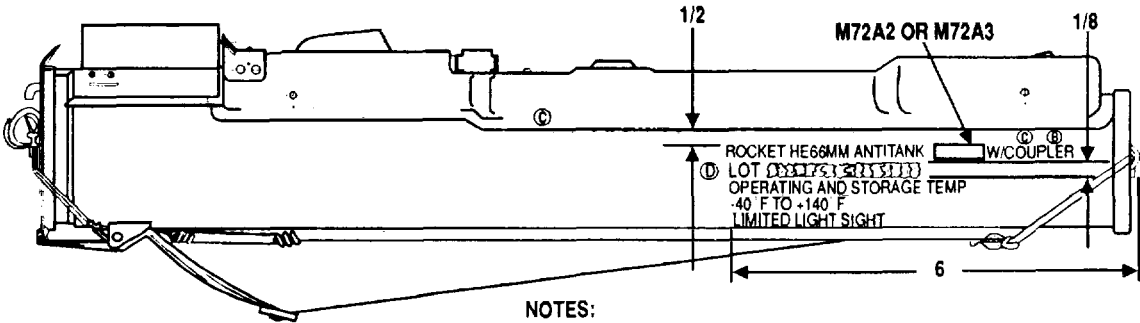


Figure 4-9. Typical marking diagram for 2.75-inch rocket motors.





- NOTES:
- ALL DIMENSIONS SHOWN ARE IN INCHES.
  - "W/COUPLER" AND AN "R" LOT SUFFIX ARE NOT REQUIRED ON M72A3 MODELS.

U  
AR 100328-B

Figure 4-10. Typical marking diagram for 66-mm LAW system.

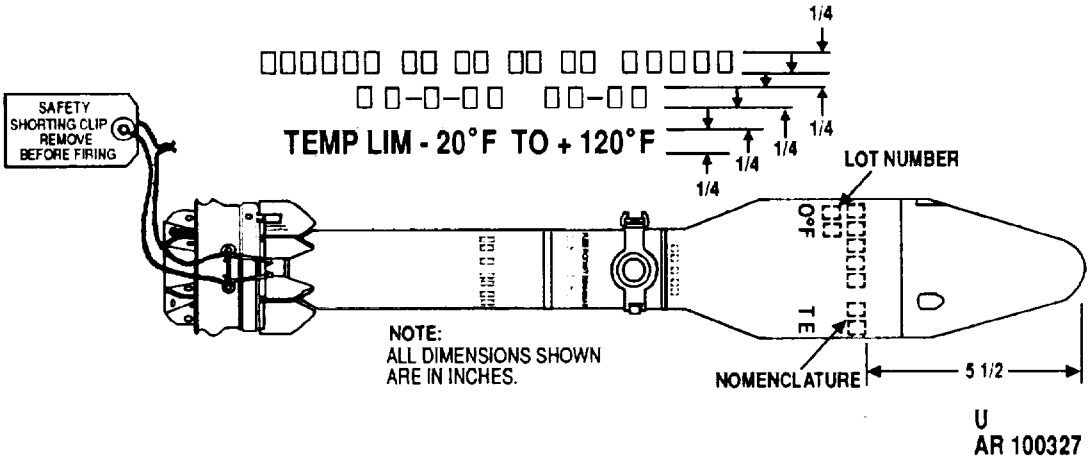
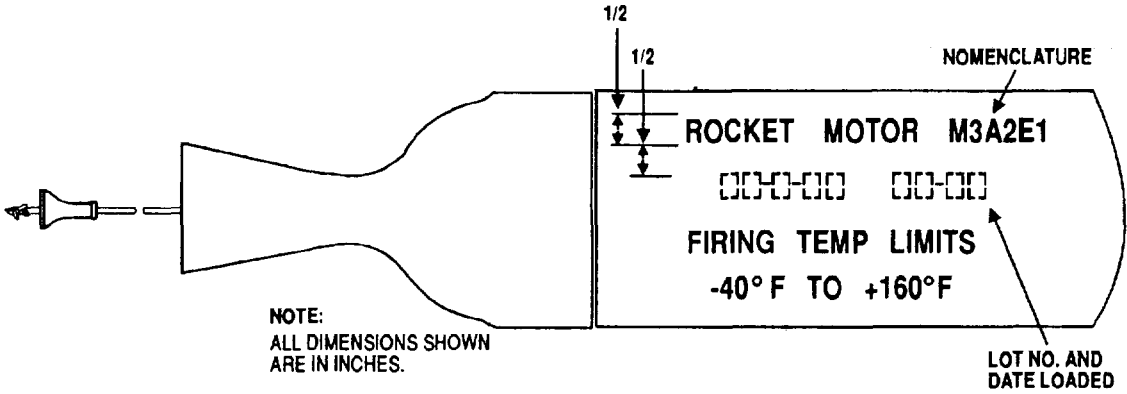


Figure 4-11. Typical marking diagram for 3.5-inch rockets.



U  
AR 100329

Figure 4-12. Typical marking diagram for rocket motor M3A2E1 (JATO).

(4) Apply markings by either rubber type method or stencil method outlined in f. below.

f. *Methods*

(1) *Rubbher-type method.*

(a) Set type in holder giving required information.

(b) Apply a small amount of ink to ink plate

(c) Move roller back and forth on plate to distribute ink evenly.

(d) Move roller lightly across face of rubber type to apply light film of ink to type.

(e) Carefully roll item to be marked across rubber type.

(2) *Stencil method*

(a) Make a stencil giving required information.

(b) Apply a dab of ink to ink plate.

(c) Rub brush in ink to apply ink to bristles.

(d) Position stencil cutout over area to be marked.

(e) While holding stencil firmly against item (using masking tape, if required), rub bristles of brush over stencil cutout to apply marking to item.

**NOTE**

A spray gun or can with paint of proper color may be used as an alternate.

(f) Carefully remove stencil and/or masking tape.

(3) *Markirngs.* Check markings to assure they are correct, neat, and legible.

Table 4-1. *Painting and Marking Data for Rockets and Rocket Weapon Systems*  
2.75-INCH ROCKET

| Component | Model no. | Color of body | Color of markings  | Reference | Markings   |
|-----------|-----------|---------------|--|-----------|--|
| Warheads  | M151      | Olive drab    | Yellow   | Fig. 4-6  | 2.75-INCH: WP, WARHEAD M156 W/LINER, W/FUZE (or W/O FUZE) LOT NO. ___ DATE LOADED ___        |
|           | M156      | Light green   | Light red, with one yellow band                              | Fig. 4-6  | 2.75-INCH: WP, WARHEAD M156 W/LINER, W/FUZE (or W/O FUZE) LOT NO. ___ DATE LOADED ___        |
|           | WDU-4A/A  | Olive drab    | White, w/band of white diamonds 3/4 in. from thread shoulder | Fig. 4-6  | WARHEAD, 2.75-INCH ROCKET, FLECHETTE, WDU-4A/A LOT NO. ___ DATE LOADED ___                   |
|           | M229      | Olive drab    | Yellow   | Fig. 4-6  | 2.75-INCH: HE, COMP B, WARHEAD M229 W/LINER WIFUZE (or W/O FUZE) LOT NO. ___ DATE LOADED ___ |
|           | WTU-1/B   | Blue          | White  | Fig. 4-6  | 2.75-INCH: PRACTICE WARHEAD M230 LOT NO. ___ DATE LOADED ___                                 |
|           | M247      | Black         | Yellow   | Fig. 4-6  | WARHEAD 2.75-INCH ROCKET, HE, DUAL PURPOSE XM247 LOT NO. ___ DATE OF MFG ___                 |
|           | M255A1    | Olive drab    | White, w/band of white diamonds                              | Fig. 4-6  | WARHEAD, 2-75-INCH ROCKET, FLECHETTE: M255A1 LOT NO. ___ DATE OF MFG ___                     |
|           | M257      | Olive drab    | White  | Fig. 4-6  | 6 WARHEAD, 2.75-INCH ILLUMINATION: M257 LOT NO. ___ DATE OF MFG ___                          |

Table 4-1. Painting and Marking Data for Rockets and Rocket Weapon Systems - Continued  
2.75-INCH ROCKET - Continued

| Component       | Model no.         | Color of body | Color of markings               | Reference | Markings  |
|-----------------|-------------------|---------------|---------------------------------|-----------|---|
| Warheads (cont) | M259              | Light green   | Light red, with one yellow band | Fig. 4-6  | WARHEAD, 2.75-INCH ROCKET, SMOKE: SCREENING, WP, M259<br>LOT NO. ____ DATE LOADED ____  |
|                 | M261              | Olive drab    | Yellow w/yellow band            | Fig. 4-6  | WARHEAD, 2.75-INCH ROCKET, MPSM, M261, COMP B, (W/FUZE M439)<br>LOT NO. ABC79H018-124B (Example)*<br>DATE LOADED _____            |
|                 | M264              | Light green   | Black, w/one brown band         | Fig. 4-6  | WARHEAD, 2.75-INCH ROCKET, SMOKE: SCREENING, RP, M264<br>LOT NO. ____ DATE LOADED ____  |
|                 | M267              | Blue          | White w/brown band              | Fig. 4-6  | WARHEAD, 2.75-INCH ROCKET, PRACTICE, M267 (W/FUZE M439)<br>LOT NO. ABC80H018-124B (Example)*<br>DATE LOADED _____                 |
|                 | M274              | Blue          | White w/brown band              | Fig. 4-7  | WARHEAD, 2.75-INCH ROCKET, PRACTICE, M274<br>PIN 9370251<br>LOT NO. _____<br>DATE LOADED _____                                    |
|                 | M278              | Olive drab    | White                           | Fig. 4-6  | WARHEAD, 2.75-INCH, FLARE: M278<br>LOT NO. ____ DATE OF MFG ____  |
|                 | Fuzes             | M423          | Green                           | Yellow    | Fig. 4-8  |
| M429            |                   | Green         | Black                           | Fig. 4-8  | FUZE, ROCKET, PROXIMITY, M429<br>LOT NO. _____<br>LOADED _____  |
| M433            |                   | Olive drab    | Black                           | Fig. 4-8  | FUZE, ROCKET: RS: M433<br>LOADED _____<br>LOT NO. _____   |
| M439            |                   |               |                                 | Fig. 4-8  | FUZE, ROCKET:<br>LOADED _____<br>LOT NO. _____  |
| Motor           |                   | MK40<br>Mod 3 | White                           | Black     | Fig. 4-9  |
|                 | MK66<br>Mod 1 & 2 | White         | Black                           | Fig. 4-9  | 2.75-INCH ROCKET MOTOR MK66<br>MOD __. LOADED ASSEMBLY<br>FIRING TEMPERATURE LIMITS<br>-50°F to +150°F. DO NOT USE IF<br>DROPPED. |

\*Ammunition Lot Numbering MIL-STD-1168A (28 Feb 75)

Table 4-1. Painting and Marking Data for Rockets and Rocket Weapon Systems - Continued

| Component | Model no. | Color of body | Color of markings | Reference | Markings |
|-----------|-----------|---------------|-------------------|-----------|----------|
|-----------|-----------|---------------|-------------------|-----------|----------|

66MM LAW

|                          |            |            |        |           |  |
|--------------------------|------------|------------|--------|-----------|--|
| Assembled complete round | M72 Series | Olive drab | Yellow | Fig. 4-10 | ROCKET, HE, 66MM ANTITANK<br>M72A2<br>LOT _____<br>OPERATING AND STORAGE TEMP<br>-40°F to +40°F<br>LIMITED LIGHT SIGHT |
|--------------------------|------------|------------|--------|-----------|--|

3.5-INCH ROCKET

|                          |       |            |   |           |   |
|--------------------------|-------|------------|---|-----------|---|
| Assembled complete round | M28A2 | Olive drab | Yellow  | Fig. 4-11 | ROCKET, HEAT, 3.5-INCH, M28A2<br>LOT NO. _____ DATE LOADED _____<br>TEMP LIMITS -20°F to + 120°F    |
|                          | M29A2 | Blue       | White   | Fig. 4-11 | ROCKET, PRACTICE, 3.5-INCH, M29A2<br>LOT NO. _____ DATE LOADED _____<br>TEMP LIMITS -20°F to +120°F |
|                          | M30   | Gray       | Yellow, with 1/2-in. Wide band approximately 5 inches from nose end | Fig. 4-11 | ROCKET, SMOKE, 3.5-INCH, WP, M30<br>LOT NO. _____ DATE LOADED _____<br>TEMP LIMITS -20°F to +120°F  |

ROCKET MOTOR (JATO)

|                          |        |            |       |           |   |
|--------------------------|--------|------------|-------|-----------|---|
| Assembled complete round | M3A2E1 | Olive drab | Brown | Fig. 4-12 | ROCKET MOTOR, M3A2E1<br>LOT NO. _____ DATE LOADED _____<br>FIRING TEMP LIMITS -40°F to +160°F |
|--------------------------|--------|------------|-------|-----------|---|

**APPENDIX A  
REFERENCES**

---

**A-1. Administrative Publications**

a. *Publication Indexes.* The following publication index should be consulted frequently for latest changes or revisions of references given in this appendix and for new publications relating to the material covered in this manual.  
Consolidated Index of Army Publications and Blank Forms..... DA PAM 25-30

b. *Army Regulations.*

|  |             |
|--|-------------|
| Reporting of Transportation Discrepancies in Shipments .....   | AR 55-38    |
| Malfunctions Involving Ammunition and Explosives .....   | AR 75-1     |
| Ionizing Radiation Protection (Licensing) Control, Transportation,<br>Disposal, and Radiation Safety ..... | AR 385-11   |
| Accident Reporting and Records.....  | AR 385-40   |
| Policies and Procedures for Firing Ammunition for Training, Target<br>Practice, and Combat .....           | AR 385-63   |
| Reporting of Item and Packaging Discrepancies .....  | AR 735-11-2 |
| Storage and Supply Activity Operations .....   | AR 740-1    |

c. *DA Pamphlet*

The Army Maintenance Management System (TAMMS)..... DA Pam 738-750

**A-2. Blank Forms**

|   |              |
|---|--------------|
| Discrepancy in Shipment Report (Short Title "DISREP") ..... | SF 361       |
| Report of Discrepancy (ROD) .....                           | SF 364       |
| US Army Accident Investigation Report .....                 | DA Form 285  |
| Munitions Surveillance Report.....                          | DA Form 984  |
| Recommended Changes to Publications and Blank Forms.....    | DA Form 2028 |
| Ammunition Condition Report .....                           | DA Form 2415 |

**A-3. Doctrinal, Training, and Organizational Publications**

60MM High Explosive Antitank Rocket M72A1, M72A2, and M72 .....

|       |          |
|-------|----------|
| ..... | FM 23-33 |
|-------|----------|

**A-4. Equipment Manuals**

a. *Technical Manuals.*

|   |                    |
|---|--------------------|
| Operator's Aviation Unit and Intermediate Maintenance Manual Including<br>Repair Parts and Special Tools List for 2.75-Inch Rocket Launcher .....   | TM 9-1055-460-13&P |
| Aviation Unit Maintenance Manual: Armament Subsystem, Helicopter,<br>7.62MM Machine Gun, 2.75-Inch Rocket Launcher: M21<br>(NSN 1090-00-923-5971) Used on UH-1B and UH-1C Helicopters ..... | TM 9-1090-202-12   |

Operator, Aviation Unit and Intermediate Maintenance Manual with Repair  
 Parts and Special Tools List (Including Depot Maintenance Repair  
 Parts and Special Tools) for Rocket Management Subsystems  
 Inventory Deployment, XM138..... TM 9-1090-207-13&P

Ammunition, General ..... TM 9-1300-200

Ammunition and Explosive Standards..... TM 9-1300-206

Ammunition Maintenance..... TM 9-1300-250

Operator's Manual for 66MM Light Antitank Weapon (LAW) System M72A1  
 and M72A2 with Coupler and Practice Rocket Launcher M190 with  
 M73 Practice Rocket..... TM 9-1340-214-10

Organizational Maintenance Manual (Including Repair Parts and Special  
 Tools List) 2.75-Inch Low Spin, Folding Fin Aircraft Rockets; 66MM  
 Light Antitank Weapon Systems; 3.5-Inch Rockets and M3A2E1  
 Rocket Motor (JATO)..... TM 9-1340-222-20

*b. Technical Bulletins.*

Ammunition: National Stock Numbers and Department of Defense Code ..... TB 9-1300-256

Munitions: Suspended or Restricted ..... TB 9-1300-385-1

*c Supply Bulletins.*

Ammunition Surveillance Procedures ..... SB 742-1

**A-5. Supply Catalogs**

Tool Set, Ammunition: Field Maintenance, Ordnance Ammunition company  
 (NSN 4940-00-322-6058) (Item W59582) and MAP only  
 (4940-00-919-0113) ..... SC 4940-95-CL-A11



**APPENDIX B**  
**DIRECT SUPPORT AND GENERAL SUPPORT**  
**PACKING MATERIALS, ACCESSORIES, AND TOOLS**

**Section I. INTRODUCTION**

**B-1. Scope**

This appendix lists packing materials, accessories, and tools required for the performance of direct support and general support maintenance of 2.75-inch, low spin, folding fin aircraft rockets (LSFFAR), 2.75-inch spin stabilized, wrap around fin aircraft rockets (SSWAFAR), 66mm light antitank weapon system (LAW), 3.5-inch rockets and rocket motor M3A2E1 (JATO).

**B-2. General**

This appendix is divided into the following sections:

- a. Section II - Packing Materials. A list of packing materials authorized for the performance of maintenance at the direct support and general support levels.
- b. Section III - Special Tools List. A list of special tools and equipment authorized for the performance of maintenance at the direct support and general support levels.

**B-3. Explanation of Columns**

The following provided an explanation of columns in sections II and III.

- a. Part Number (Drawing Number). The primary number used by the manufacturer which controls the design and characteristics of the item. Drawings can be obtained from originating source (see CAGE Code).
- b. Contractor and Government Entity Code (CAGE Code) - (Formerly known as Federal Supply Code for Manufacturers (FSCM)). A five-digit code used to identify the manufacturer, distributor, or Government agency/activity that supplies the item.
- c. Figure Number. The number of the figure where the item is identified/located.
- d. Description. The Federal item name and any additional description of the item required.

## Section II. PACKING MATERIALS

| Part No.<br>(Dwg No.)      | CAGE<br>Code | Figure<br>No. | Description   |
|----------------------------|--------------|---------------|---|
|                            |              |               | 2.75-INCH ROCKETS   |
| 9230114                    | 19203        |               | BOX, PACKING, AMMUNITION: w/warheads M151, M156, M230, WDU-4A/A, WTU-1B           |
| 9230116                    | 19203        |               | BOX, PACKING, AMMUNITION: w/warheads M229, M259, M261, and M267                   |
| 9235841                    | 19203        |               | BOX, PACKING, AMMUNITION: w/warheads M151, M156, and M230                         |
| 9235840                    | 19203        |               | BOX, PACKING, AMMUNITION: w/warhead M229  |
| 8886810                    | 19203        |               | BOX, PACKING, AMMUNITION: M151, M156, M230, WTU-1B, M274                          |
| 9224842                    | 19203        |               | BOX, PACKING, AMMUNITION: M229  |
| 242057 (For<br>CONUS only) | 19203        |               | BOX, PACKING, AMMUNITION: WDU-4A/A  |
| 8883479                    | 19203        |               | BOX, PACKING, AMMUNITION: MK40  |
| 8861213                    | 19203        |               | BOX, PACKING, AMMUNITION: for rocket fuzes M423, M429, and M435                   |
| 9340713                    | 19203        |               | BOX, PACKING, AMMUNITION: 4 ea - warhead M274 and motor MK66                      |
| 9357963                    | 19200        |               | BOX, PACKING, AMMUNITION: 3 ea - warhead M257 and 3 ea. motor MK66                |
| 9242056                    | 19203        |               | BOX, PACKING, AMMUNITION: flechette, WDU-4A/A                                     |
| 8864492                    | 19203        |               | CHEST, AMMUNITION: M423, M429   |
| 9230113                    | 19203        |               | CONTAINER, AMMUNITION: fiber, PA30 (warheads M151, M156, M230, WTU-1/B, WDU-4A/A) |
| 9230115                    | 19203        |               | CONTAINER, AMMUNITION: fiber, PA29, warhead M229                                  |
| 8886811                    | 19203        |               | CONTAINER, AMMUNITION: fiber, M523, warheads M151, M156, M230, WTU-1/B            |
| 9224841                    | 19203        |               | CONTAINER, AMMUNITION: fiber, PA26, warhead HE, M229                              |
| 12934714                   | 19200        |               | CONTAINER, AMMUNITION: fiber, PA145, warhead M229 and motor MK66                  |

**Section II. PACKING MATERIALS - Continued**  
**Section II. PACKING MATERIALS**

| Part No.<br>(Dwg No.) | CAGE<br>Code | Figure<br>No. | Description   |
|-----------------------|--------------|---------------|---|
|                       |              |               | 2.75-INCH ROCKETS (Continued)   |
| 9335611               | 19203        |               | CONTAINER, AMMUNITION: fiber, PA89, warhead M261 or M267 and motor MK66               |
| 8883478               | 19203        |               | CONTAINER, AMMUNITION: fiber, M518, MK40, for warhead (M257, M278)                    |
| 9335650               | 19203        |               | CONTAINER, AMMUNITION: metal, PA88 assembly, warheads M151, M261, M264, M267          |
| 9335617               | 19200        |               | CONTAINER, AMMUNITION: fiber, PA87, MK66  |
| 9335613               | 19203        |               | CONTAINER, AMMUNITION: fiber, PA190, warhead M274 and motor MK66                      |
| 8882441               | 19203        |               | SUPPORT, TOP: for fuze M423   |
| 8882442               | 19203        |               | SUPPORT, BOTTOM: for fuze M423  |
| 9217200               | 19203        |               | SUPPORT, TOP: for fuze M429   |
| 9217201               | 19203        |               | SUPPORT, BOTTOM: for fuze M429  |
| 9242106               | 19203        |               | SUPPORT, TOP: for fuze M432   |
| 9242108               | 19203        |               | SUPPORT, BOTTOM: for fuze M432  |
|                       |              |               | 66MM WEAPON   |
| 9227926               | 19203        |               | BOX, PACKING, AMMUNITION: HE, antitank, M74A1 or M72A2, w/coupler                     |
| 9227925-4             | 19203        |               | BOX, PACKING, AMMUNITION: HE, antitank, M72A1 or M72A1, w/coupler                     |
| 9227925-6             | 19203        |               | SADDLE, FRONT: M72A1 or M72A2   |
| 9227925-7             | 19203        |               | SADDLE, REAR: M72A1 or M72A2  |
|                       |              |               | 3.5-INCH ROCKETS  |
| 7549040               | 19203        |               | BOX, PACKING ASSEMBLY: M28A2, HEAT, M29A1, practice, M29A2, practice, M30WP           |
| 7549038               | 19203        |               | CONTAINER, AMMUNITION: fiber, M229, M28A2 HEAT, M29A1 practice, M29A2 practice, M30WP |
|                       |              |               | ROCKET MOTOR M3A2E1   |
| 8835922               | 19203        |               | BOX, PACKING, AMMUNITION  |

## Section III. SPECIAL PACKING TOOLS LIST

| Part No.    | CAGE Code | Figure No. | Description  |
|-------------|-----------|------------|--|
| 53M34750    | 11722     |            | MARKING OUTFIT: rubber solid Gothic type 1/4-, 1/2-, 3/4-, 1-inch letters (NSN 7520-00-049-7993) |
| 8864731     | 19203     |            | SALLEE CLOSER (NSN 5120-00-319-5434)   |
| MIL-S-43104 | 81349     |            | STRAPPING AND SEALING KIT: (5/8-in. strapping). (NSN 3540-00-565-6242)                           |
| MIL-S-43104 | 81349     |            | STRAPPING AND SEALING KIT: (1-1/4-in. strapping). (NSN 3540-00-565-6244)                         |

## APPENDIX C

## EXPENDABLE AND DURABLE ITEMS LIST

## SECTION I. INTRODUCTION

**C-1. SCOPE**

This appendix lists expendable and durable items that you will need to operate and maintain rockets, rocket motors, and rocket weapon systems. This listing is for information only and is not authority to requisition the listed items. These items are authorized to you by CTA 50-970, Expendable Items (except Medical, Class V, Repair Parts, and Heraldic items), or CTA 8-100, Army Medical Department Expendable /Durable Items.

**C-2. EXPLANATION OF COLUMNS**

- a. Column (1) - Item number. This number is assigned to the entry in the listing for referenced in the narrative instructions to identify the item (e.g. "Use cleaning compound, item 5, Appendix D").
- b. Column (2) - Level. This column identifies the lowest level of maintenance that requires the listed item.
- c. Column (3) - National Stock Number. This is the National Stock Number (NSN) assigned to the item which you can use to requisition it.
- d. Column (4) - Item Name, Description, Commercial and Government Entity Code (CAGEC), and Part Number. This provides the other information you need to identify the item.
- e. Column (5) - Unit of Measure (U/M)/Unit of Issue (U/I). This code shows the physical measurement or count of an item, such as gallon, dozen, gross, etc.

**SECTION II. EXPENDABLE AND DURABLE ITEMS LIST**

| (1)<br>Item Number | (2)<br>Level | (3)<br>National Stock Number | (4)<br>Description  | (5)<br>(U/M/<br>(U/I) |
|--------------------|--------------|------------------------------|---|-----------------------|
| 1                  | O            | 6810-00-184-4796             | ACETONE, TECHNICAL: 5 gallon can (81348) O-A-51   | CN                    |
| 2                  | O            | 6810-00-543-7415             | ALCOHOL, DENATURED: grade III (81348) OE760   | GL                    |
| 3                  | O            | 8135-00-282-0565             | BARRIER MATERIAL, WATER-VAPOR PROOFED, FLEXIBLE: 200-yd roo, 36 in. wide, class I (81349) MILB131 | RO                    |
| 4                  | O            | 8020-00-262-9098             | BRUSH,ARTIST'S: (81348) H-B-118   |                       |
| 5                  | O            | 8020-00-240-6361             | BRUSH, ARTIST'S: Flat chisel edge (81348) H-B-118   | EA                    |
| 6                  | O            | 8020-00-246-8504             | BRUSH, ARTIST'S: Round flat edge (81348) H-B-118  | EA                    |
| 7                  | O            | 7920-00-900-3577             | BRUSH: (Fuzewell) 3/4 in. x 1-3/8 in. (17987) 15SS  | EA                    |
| 8                  | O            | 8020-00-597-4768             | BRUSH, LACQUERING: 7/8 in. x 1 in. (81348) H-B-351  | EA                    |
| 9                  | O            | 8020-00-245-4522             | BRUSH, PAINT: flat, w/square edge 2-1/2 in. w, 5/16 in. thk, 2-1/2 in. lg (81348) H-B-391         | EA                    |
| 10                 | O            | 802-00-245-4516              | BRUSH, PAINT: rade A, 4in. x 4-1/8 in. (81348) H-B-420  | EA                    |
| 11                 | O            | 8020-00-597-5301             | BRUSH, PAINT: oval style, chisel edge, 7/8 in. x 2-1/8 in. (81348) H-B-491                        | EA.                   |
| 12                 | O            | 7520-00-248-9285             | BRUSH, PAINT: fountain type, 1-3/8 in. dia, type F (81348) H-B-00621                              | EA.                   |

| (1)<br>Item<br>Number | (2)<br>Level | (3)<br>National<br>Stock<br>Number | (4)<br>Description  | (5)<br>(U/M/<br>(U/I)) |
|-----------------------|--------------|------------------------------------|---|------------------------|
| 13                    | O            | 7520-00-223-8000                   | BRUSH, STENCIL: long handle style type L, 0.813 dia of bristles (81348) H-B-00621   | EA                     |
| 14                    | O            | 8020-00-889-                       | BRUSH, PAINT: 1-1/2 in. x 13/32 in. (81348) H-B-695   | EA                     |
| 15                    | O            | 8020-00-205-6505                   | BRUSH, VARNISH: flat w/chisel edge 1-1/2 in. w, 11/16 in. thk, 2-1/4 in. lg class 1, grade A (81348) H-B-695                  | EA                     |
| 16                    | O            | 8020-00-262-9084                   | BRUSH, VARNISH: flat w/square edge, 1/2 in. w, 1/4 in. thk, 1-1/4 in. lg (45092) 608-1  | EA                     |
| 17                    | O            | 7920-00-255-5135                   | BRUSH, WIRE SCRATCH: wood and copper beryllium alloy, curved handle 14 in. x 15/16 in. block, 6 in. x 1-1/4 in. (81348) HB178 | EA                     |
| 18                    | O            | 7920-00-269-0933                   | BRUSH, WIRE SCRATCH: wood and copper beryllium alloy, straight handle, 7-in. x 1 in. block, 6 in. x 1-1/4 in. (81348) HB178   | EA                     |
| 19                    | O            | 8030-00-664-7105                   | COATING, COMPOUND BITUMINOUS SOLVENT TYPE: type (81349) MIL-C-450   | GL                     |
| 20                    | O            | 8030-00-290-5141                   | COATING COMPOUND, BITUMINOUS SOLVENT TYPE: type II (81349) MIL-C-450  | GL                     |
| 21                    | O            | 6850-00-264-6573                   | CORROSION, REMOVING COMPOUND: (81349) MIL-C-10578   | GL                     |
| 22                    | O            | 6850-00-264-6573                   | DESSICANT, ACTIVATED: type I (81349) MIL-D-3464   | CN                     |
| 23                    | O            | 7930-00-249-8036                   | DETERGENT, GENERAL PURPOSE: (81348) P-D-220   | CO                     |
| 24                    | O            | 8010-00-297-2122                   | ENAMEL: Black, No. 37038 (96906) MS35527-2  | GL                     |

| (1)<br>Item<br>Number | (2)<br>Level | (3)<br>National<br>Stock<br>Number | (4)<br>Description  | (5)<br>(U/M/<br>(U/I) |
|-----------------------|--------------|------------------------------------|---|-----------------------|
| 25                    | O            | 8010-00-910-8154                   | ENAMEL: Black, No. 37038<br>(81348) TT-E-516                                      | GL                    |
| 26                    | O            | 8010-00-297-2119                   | ENAMEL: Blue, Medium, No. 35109<br>(96906) MS35527-2                              | GL                    |
| 27                    | O            | 8010-00-828-3193                   | ENAMEL: Olive Drab, No. 34087<br>(81348) TT-E-516                                 | CN                    |
| 28                    | O            | 8010-00-297-2113                   | ENAMEL: Olive Drab, No. 34087<br>(81348) TT-E-516                                 | CN                    |
| 29                    | O            | 8010-00-297-2116                   | ENAMEL: Olive Drab, No. 34087<br>(96906) MS35527-8                                | GL                    |
| 30                    | O            | 8010-00-848-9272                   | ENAMEL: Olive Drab, lusterless, No.<br>34087 spray can<br>(81348) TT-E-516        | PT                    |
| 31                    | O            | 8010-00-297-0563                   | ENAMEL: Orange, (Vivid), No.<br>35524-13<br>(96906) MS35524-13                    | GL                    |
| 32                    | O            | 8010-00-297-2114                   | ENAMEL: Red, No. 31136<br>(81349) TT-E-516  | PT                    |
| 33                    | O            | 8010-00-297-2111                   | ENAMEL: White, No. 37875<br>(81348) TT-E-516                                      | GL                    |
| 34                    | O            | 8010-00-878-5761                   | ENAMEL: White, No. 37875 spray can<br>(81348) TT-E-516                            | PT                    |
| 35                    | O            | 8010-00-297-2112                   | ENAMEL: Yellow, No. 33538<br>(96906) MS35527-12                                   | GL                    |
| 36                    | O            | 8010-00-851-5525                   | ENAMEL: Yellow, semi-gloss, No. 33538<br>(09786) SW101-43                         | PT                    |
| 37                    | OJ           | 5315-00-597-9766                   | FASTENER, CORRUGATED, WOOD-<br>JOINT: steel, 1/2 in. sawtooth<br>(58536) A-A-1957 | HD                    |
| 38                    | O            | 8415-00-682-6786                   | GLOVES, DISPOSABLE: plastic<br>(96717) PINKIES                                    | PR                    |



| (1)<br>Item<br>Number | (2)<br>Level | (3)<br>National<br>Stock<br>Number | (4)<br>Description  | (5)<br>(U/M/<br>(U/I) |
|-----------------------|--------------|------------------------------------|---|-----------------------|
| 39                    | O            | 8520-00-782-3509                   | HAND CLEANER:<br>Type I, class 2 cream, grade A<br>(10266) DD10 | CN                    |
| 40                    | O            | 7510-00-161-0811                   | INK, MARKING STENCIL: Black<br>(58536) A-A-208                  | GL                    |
| 41                    | O            | 7510-00-161-0815                   | INK, MARKING STENCIL: White<br>(58536) A-A-208                  | GL                    |
| 42                    | O            | 7510-00-161-0816                   | INK, MARKING STENCIL: Yellow<br>(58536) A-A-208                 | GL                    |
| *43                   | O            | 8010-00-527-3196                   | LACQUER: brown, No. 30277<br>(81348) TT-L-40                    | GL                    |
| 44                    | O            | 8010-00-664-1914                   | LACQUER: Grey, No. 36231<br>(81348) TT-L-20                     | PT                    |
| *45                   | O            | 8010-00-161-7392                   | LACQUER: Lusterless, Sand, No.<br>30277<br>(81348) TT-L-40      | GL                    |
| 46                    | O            | 8010-00-584-3148                   | LACQUER: Orange, No. 12197,<br>spray can<br>(81348) TT-L-50     | PT                    |
| 47                    | O            | 7520-00-973-1059                   | MARKER, TUBE TYPE: black<br>(81348) GG-M-00114                  | DZ                    |
| 48                    | O            | 7520-00-973-1062                   | MARKER, TUBE TYPE: red<br>(81348) GG-M-00114                    | DZ                    |
| 49                    | O            | 7520-00-079-0288                   | MARKER, TUBE TYPE: yellow<br>(81348) GG-M-00114                 | DZ                    |
| 50                    | O            | 5315-00-889-2743                   | NAIL: steel head style 19, 1.5 in.<br>(81348) FF-N-105          | PG                    |
| 51                    | O            | 5315-00-889-2744                   | NAIL: steel 6d, 2 in.<br>(81348) FF-N-105                       | PG                    |
| *52                   | O            | 5315-00-889-2745                   | NAIL: steel 8d, 2.5 in.<br>(81348) FF-N-105                     | PG                    |
| 53                    | O            | 5350-00-271-7935                   | PAPER, ABRASIVE, FLINT:<br>120-150 grit<br>(81348) P-P-105      | PG                    |

| (1)<br>Item<br>Number | (2)<br>Level | (3)<br>National<br>Stock<br>Number | (4)<br>Description   | (5)<br>(U/M/<br>(U/I) |
|-----------------------|--------------|------------------------------------|--|-----------------------|
| 54                    | O            | 8135-00-160-7757                   | PAPER, KRAFT, UNTREATED:<br>chemical treatment unbleached<br>(81348) UU-P-268                  | RO                    |
| 55                    | O            | 8010-00-515-2208                   | PRIMER COATING: zinc yellow<br>(81348) TT-P-1757   | GL                    |
| 56                    | O            | 7920-00-205-1711                   | RAG, WIPING: cotton, unbleached<br>mixed colors<br>(81348) DDD-R-30                            | BE                    |
| 57                    | O            | 5340-00-491-7632                   | SEAL, ANTIPIRFERAGE, META-<br>LLIC: 0.5 in. dia, 1/8 in thk<br>(96906) MS519385                | EA                    |
| 58                    | O            | 8135-00-239-5291                   | SEAL, STRAPPING: 2n threaded<br>for 5/8 in. steel strapping<br>(81348) QQ-S-781                | BX                    |
| 59                    | O            | 8135-00239-5294                    | SEAL, STRAPPING: 2n threaded<br>for 1-1/4 in. steel strapping<br>(81348) QQ-S-781              | BX                    |
| 60                    | O            | 9310-00-240-4737                   | STENCILBOARD: oiled, 18-1/2 in.<br>x 18-1/2 in.<br>(81348) UU-S-625                            | SH                    |
| 61                    | O            | 8135-00-281-4071                   | STRAPPING: steel, 5/8 in. w,<br>nailess<br>(81348) QQ-S-781                                    | CL                    |
| 62                    | O            | 8135-00-283-0671                   | STRAPPING: steel, 1-1/4 in. w,<br>0.035 in. thk<br>(81348) QQ-S-781                            | CL                    |
| 63                    | O            | 7510-00-266-6711                   | TAPE, PRESSURE SENSITIVE<br>ADHESIVE: masking, 3/4 in. w,<br>2160 in. roll<br>(81348) UU-T-106 | RO                    |
| 64                    | O            | 7510-00-266-6712                   | TAPE, PRESSURE SENSITIVE<br>ADHESIVE: masking, 1 in. w,<br>2160 in. roll<br>(81348) PPP-T-42   | RO                    |

| (1)<br>Item<br>Number | (2)<br>Level | (3)<br>National<br>Stock<br>Number | (4)<br>Description  | (5)<br>(U/M/<br>(U/I) |
|-----------------------|--------------|------------------------------------|---|-----------------------|
| 65                    | O            | 7510-00-266-6710                   | TAPE, PRESSURE SENSITIVE<br>ADHESIVE: masking, 2-in. w,<br>2160 in. roll<br>(81348) PPP-T-42                | RO                    |
| 66                    | O            | 7510-00-266-6715                   | TAPE, PRESSURE SENSITIVE<br>ADHESIVE: 2-in. w, clear 60 in. lg<br>(81348) PPP-T-60                          | RO                    |
| 67                    | O            | 7510-00-551-9822                   | TAPE, PRESSURE SENSITIVE<br>ADHESIVE: transparent cello-<br>phane 1/2 in. w, w/ dispenser<br>(81348) L-T-90 | RO                    |
| 68                    | O            | 8010-00-242-2089                   | THINNER, PAINT, PRODUCTS:<br>(81348) TT-T-291 TY1   | GL                    |
| 69                    | O            | 8010-00-160-5794                   | THINNER, PAINT, PRODUCTS:<br>(81348) TT-T-306   | GL                    |
| *70                   | O            | 9505-00-294-7373                   | WIRE, NONELECTRICAL:<br>round, zinc coated, 0.0625 in. dia<br>medium temper, 5 lb coil<br>(81348) QQW461    | CL                    |
| 71                    | O            | 5350-00-242-4405                   | WOOL, METALLIC: steel, 1 lb<br>(81348) FF-S-740   | LB                    |

\* National Stock Number (NSN) to be discontinued - use until exhausted.

**THIS PAGE INTENTIONALLY LEFT BLANK**

By Order of the Secretary of the Army

GORDON R. SULLIVAN  
*General, United States Army*  
*Chief of Staff*

MILTON H. HAMILTON  
*Administrative Assistant to*  
*the*  
*Secretary of the Army*  
07539

Distribution:

To be distributed in accordance with DA Form 12-40-E, Block 0530, requirements for TM 9-1340-222-34.

\*U.S. GOVERNMENT PRINTING OFFICE: 1"4 - 46-049/00712

RECOMMENDED CHANGES TO EQUIPMENT TECHNICAL PUBLICATIONS



SOMETHING WRONG WITH THIS PUBLICATION?

THEN... JOT DOWN THE DOPE ABOUT IT ON THIS FORM, CAREFULLY TEAR IT OUT, FOLD IT AND DROP IT IN THE MAIL!

FROM: (PRINT YOUR UNIT'S COMPLETE ADDRESS)

DATE SENT

PUBLICATION NUMBER

TM 11-5825-270-10

PUBLICATION DATE

23 Jul 81

PUBLICATION TITLE

Radio Frequency R-2176/FRN

BE EXACT... PIN-POINT WHERE IT IS

PAGE NO.

PARA-GRAPH

FIGURE NO.

TABLE NO.

IN THIS SPACE TELL WHAT IS WRONG AND WHAT SHOULD BE DONE ABOUT IT:

TEAR ALONG PERFORATED LINE

PRINTED NAME, GRADE OR TITLE, AND TELEPHONE NUMBER

SIGN HERE:

DA FORM 2028-2  
1 JUL 79

PREVIOUS EDITIONS  
ARE OBSOLETE.

P.S.—IF YOUR OUTFIT WANTS TO KNOW ABOUT YOUR RECOMMENDATION MAKE A CARBON COPY OF THIS AND GIVE IT TO YOUR HEADQUARTERS.

PIN: 026664-000